

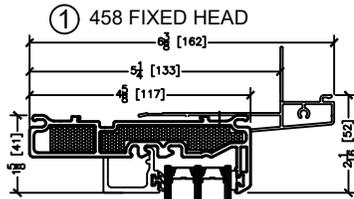


Heritage Offset
458 FiberWall™ Fixed over
328 FiberWall™ Csmt/Awn

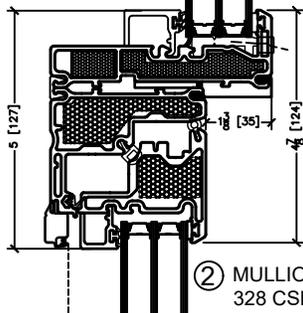
45 Higgins Ave.
Winnipeg MB R3B 0A8
Tel. 1-204-339-6456
Fax 1-204-334-1800
www.duxtonwindows.com

Triple Pane Section Drawings

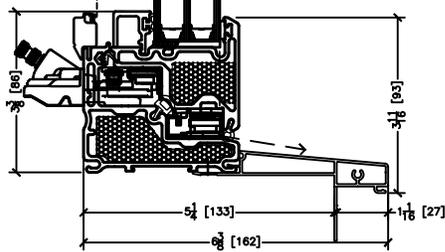
Rough openings are 1/2" typical all around



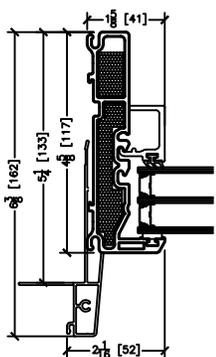
① 458 FIXED HEAD



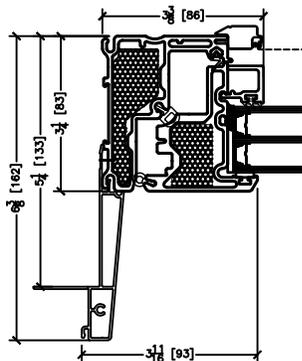
② MULLION: 458 FIXED /
328 CSMT/AWN



③ 328 CSMT/AWN SILL



⑦ 458 FIXED JAMB



⑧ 328 CSMT/AWN JAMB



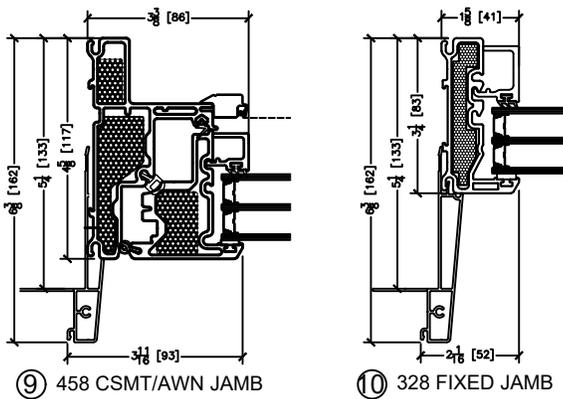
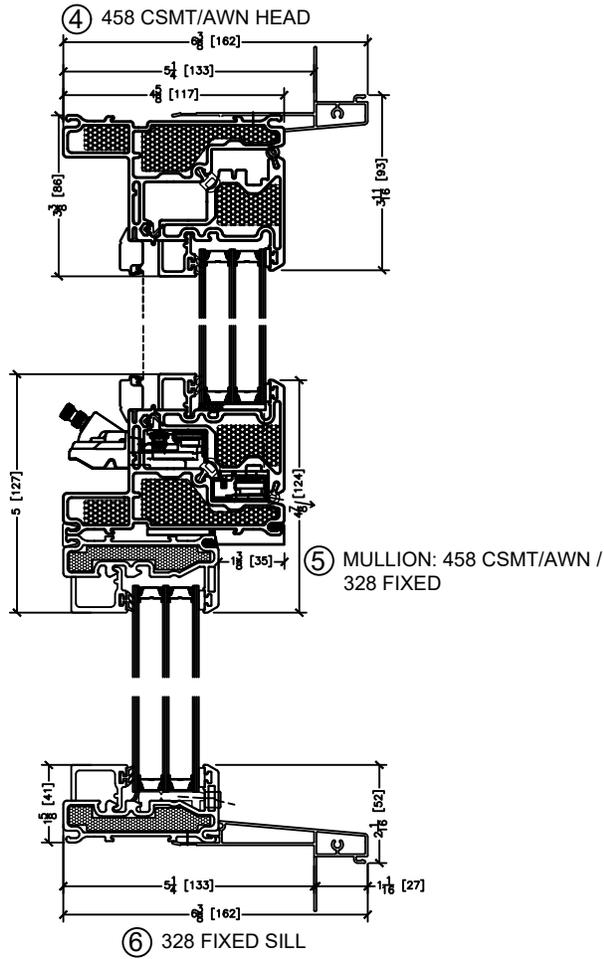


Heritage Offset
458 FiberWall™ Csmt/Awn over
328 FiberWall™ Fixed

45 Higgins Ave.
Winnipeg MB R3B 0A8
Tel. 1-204-339-6456
Fax 1-204-334-1800
www.duxtonwindows.com

Triple Pane Section Drawings

Rough openings are 1/2" typical all around





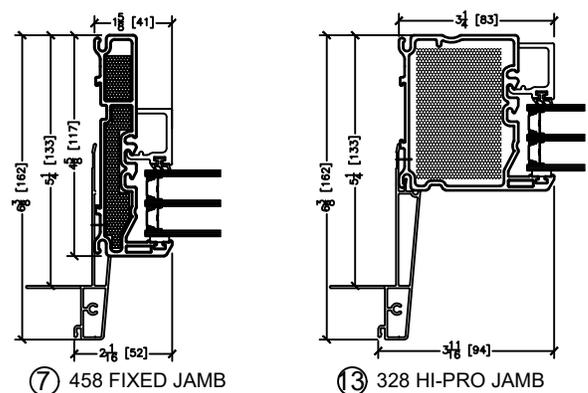
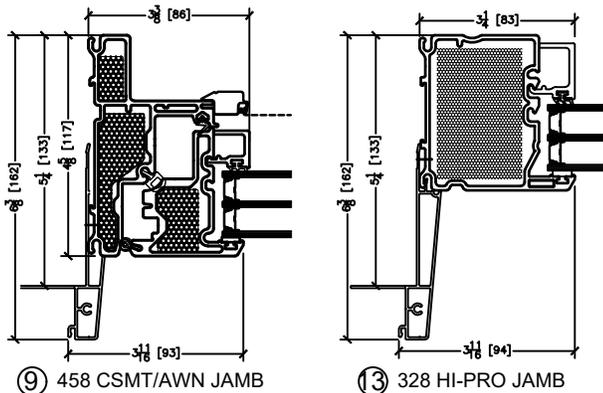
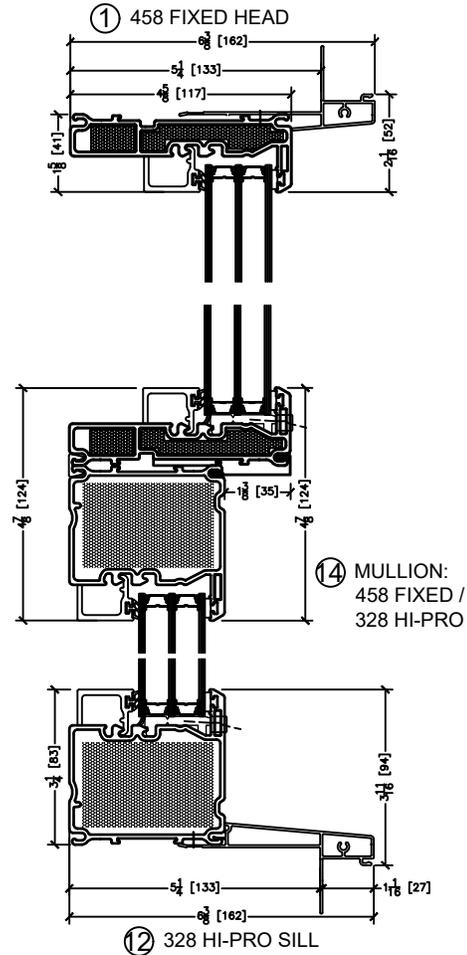
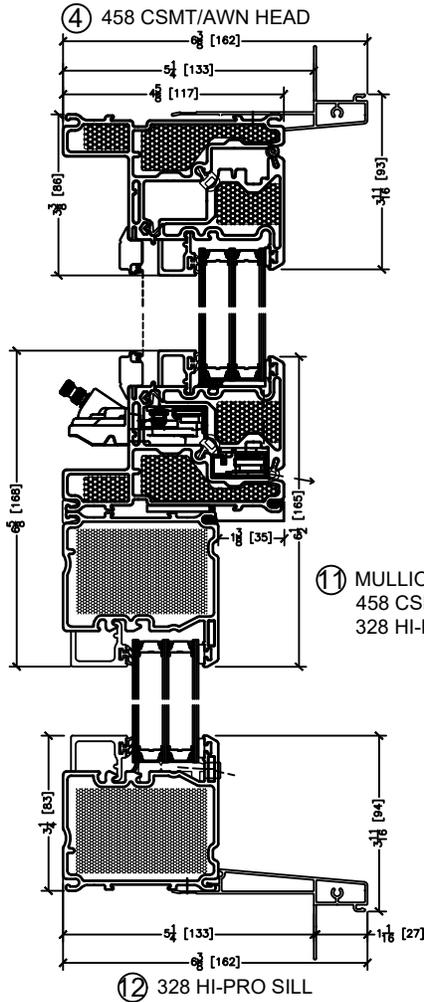
Heritage Offset
 458 FiberWall™ Csmt/Awn over
 328 FiberWall™ Hi-Pro

Heritage Offset
 458 FiberWall™ Fixed over
 328 FiberWall™ Hi-Pro

45 Higgins Ave.
 Winnipeg MB R3B 0A8
 Tel. 1-204-339-6456
 Fax 1-204-334-1800
 www.duxtonwindows.com

Triple Pane Section Drawings

Rough openings are 1/2" typical all around





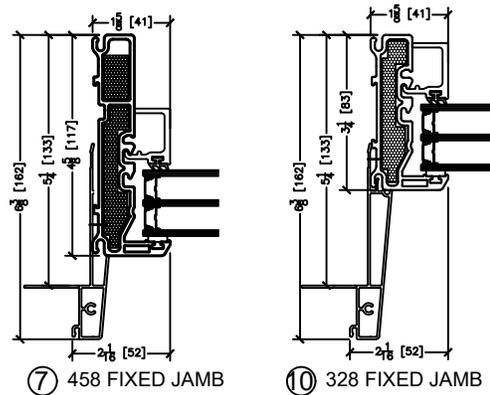
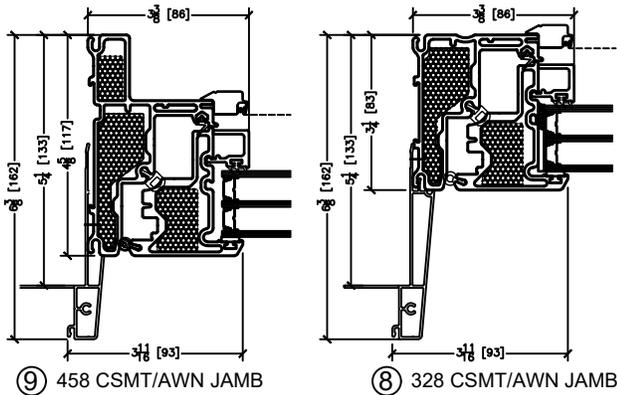
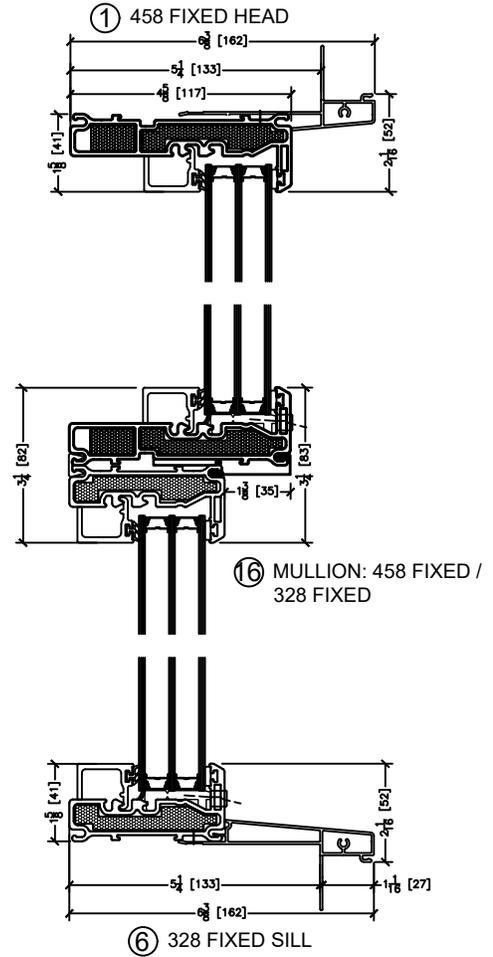
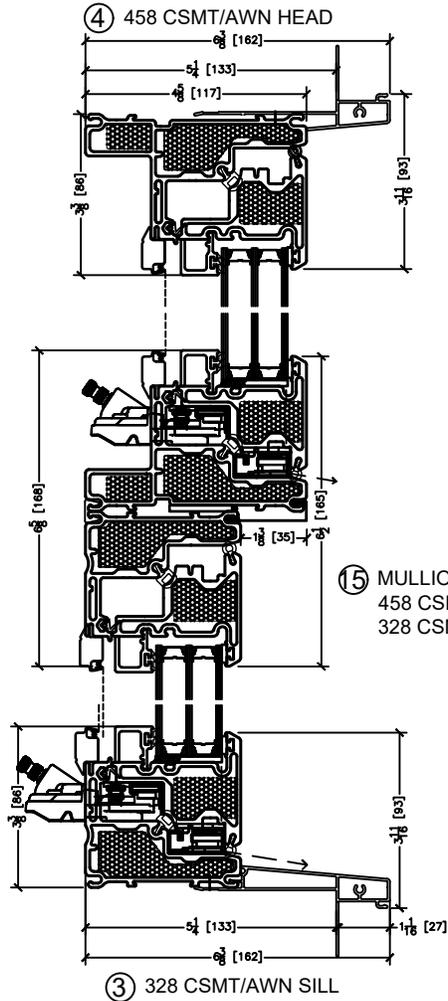
Heritage Offset
 458 FiberWall™ Csmt/Awn over
 328 FiberWall™ Csmt/Awn

Heritage Offset
 458 FiberWall™ Fixed over
 328 FiberWall™ Fixed

45 Higgins Ave.
 Winnipeg MB R3B 0A8
 Tel. 1-204-339-6456
 Fax 1-204-334-1800
 www.duxtonwindows.com

Triple Pane Section Drawings

Rough openings are 1/2" typical all around



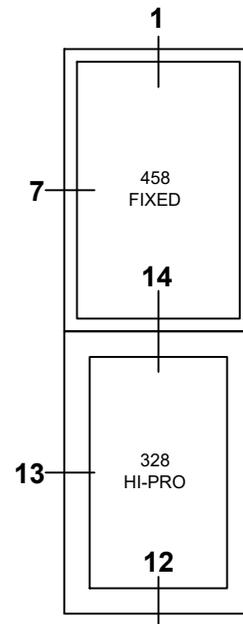
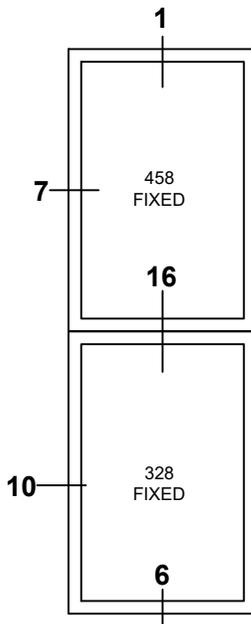
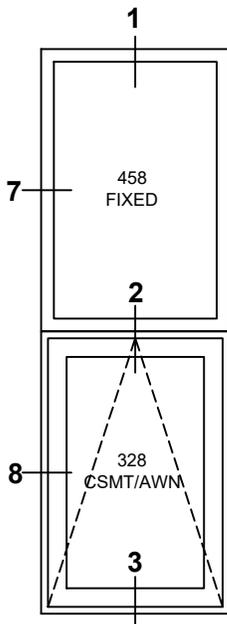
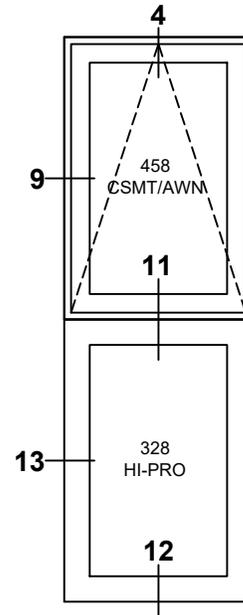
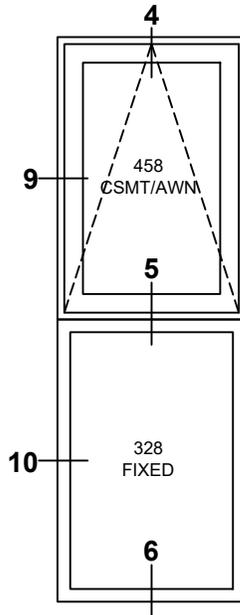
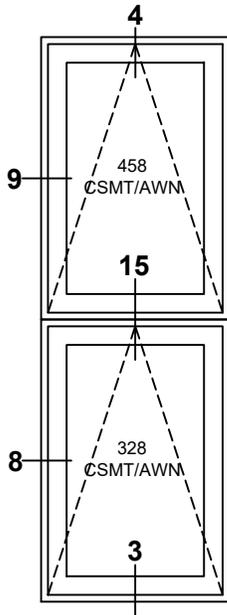


Series Fiberglass Windows

FiberWall™ Fixed, Hi-Pro, Casement, and Awning

45 Higgins Ave.
Winnipeg MB R3B 0A8
Tel. 1-204-339-6456
Fax 1-204-334-1800
www.duxtonwindows.com

Typical Elevations





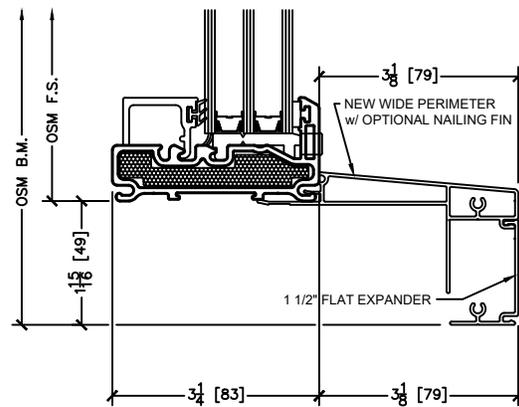
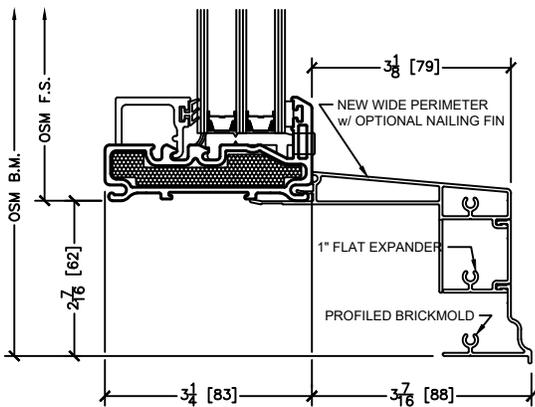
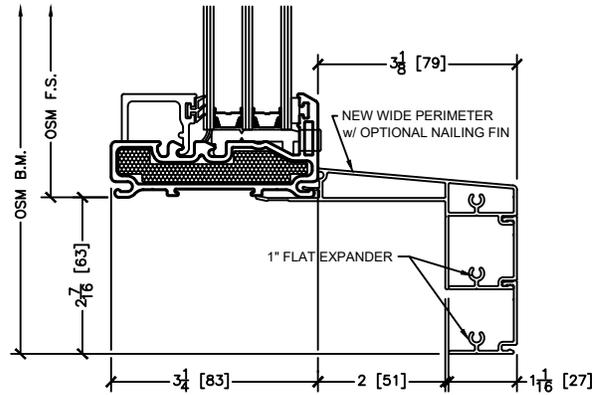
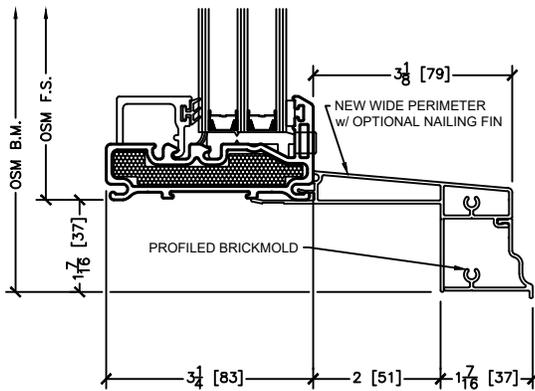
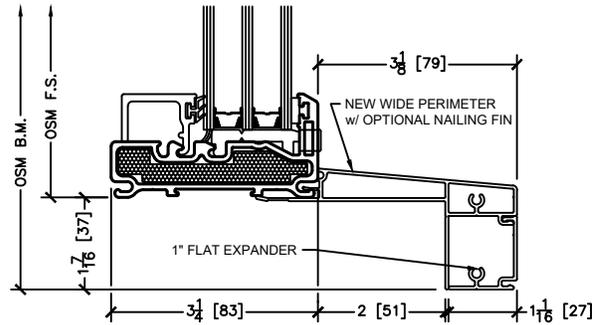
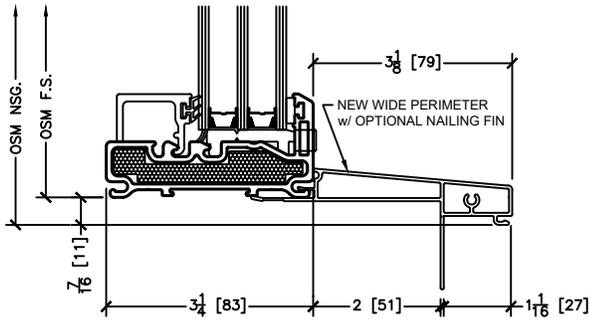
Series Fiberglass Windows

FiberWall™ Fixed, Hi-Pro, Casement, and Awning

45 Higgins Ave.
Winnipeg MB R3B 0A8
Tel. 1-204-339-6456
Fax 1-204-334-1800
www.duxtonwindows.com

Triple Pane New Wide Perimeter w/ Brickmold Options; TYPICAL FOR ALL FRAME TYPES

Rough openings are 1/2" typical all around



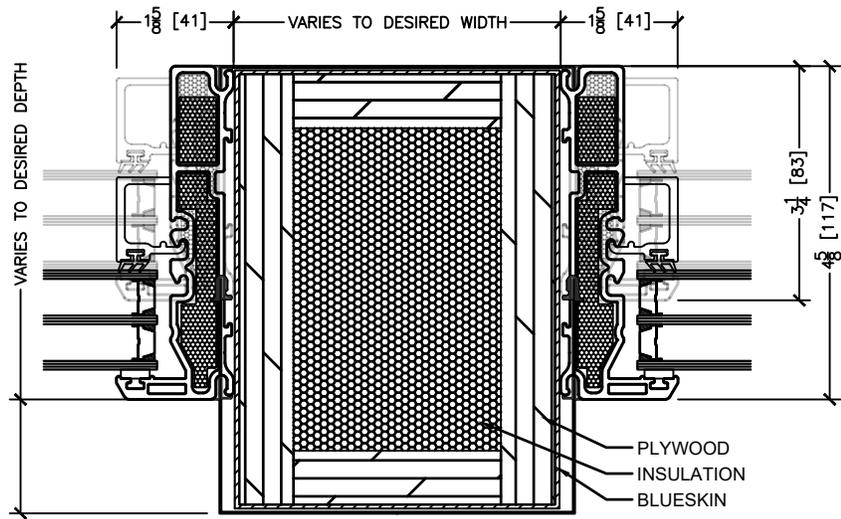


Series Fiberglass Windows

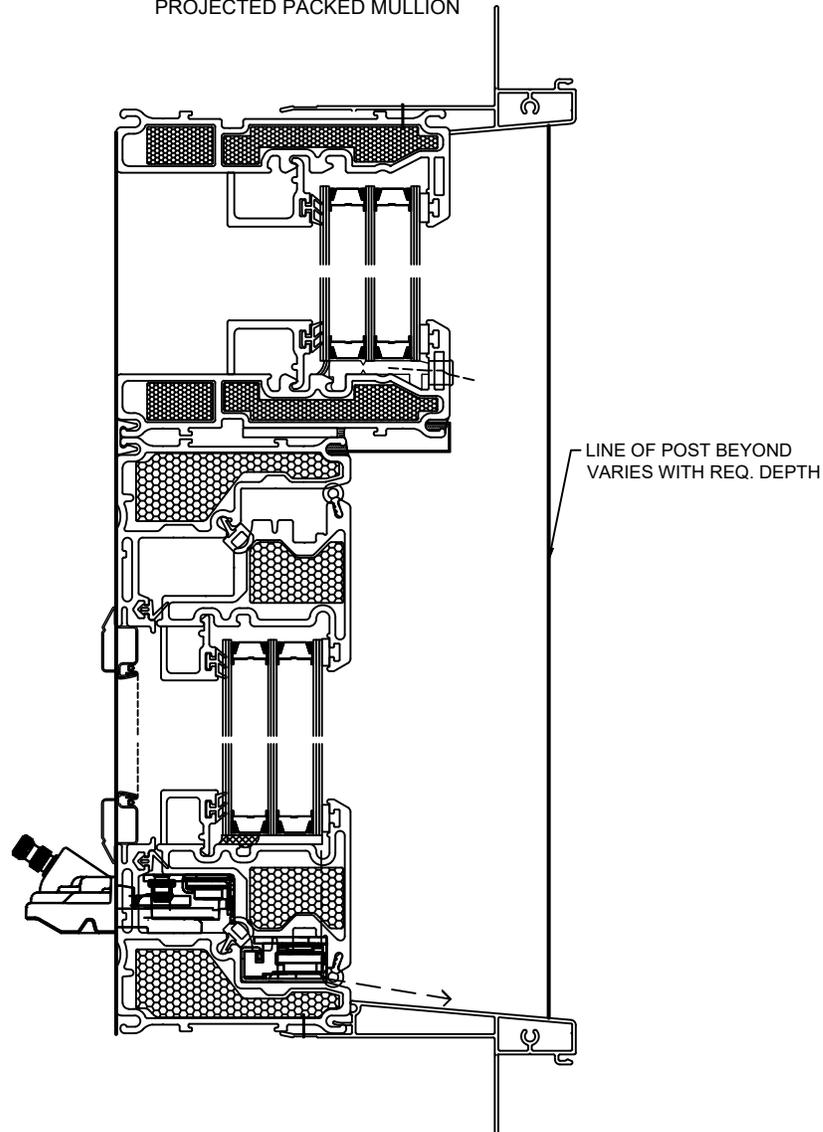
FiberWall™ Fixed, Hi-Pro, Casement, and Awning

45 Higgins Ave.
Winnipeg MB R3B 0A8
Tel. 1-204-339-6456
Fax 1-204-334-1800
www.duxtonwindows.com

Packed Mullion; TYPICAL FOR ALL FRAME TYPES



PROJECTED PACKED MULLION





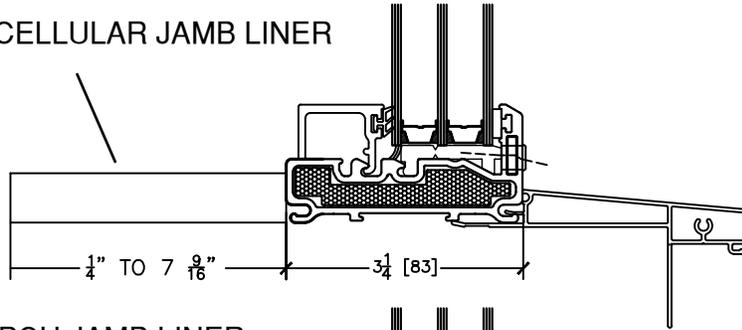
Series Fiberglass Windows

FiberWall™ Fixed, Hi-Pro, Casement, and Awning

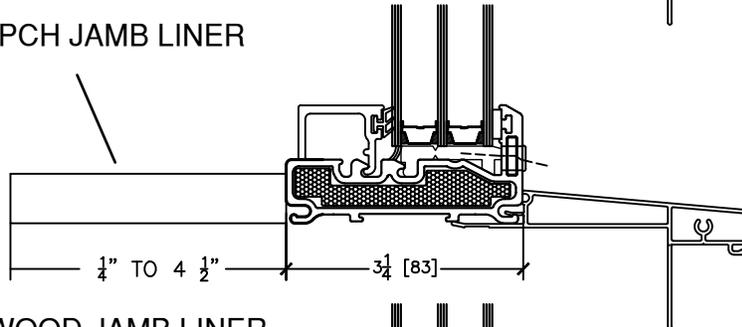
45 Higgins Ave.
Winnipeg MB R3B 0A8
Tel. 1-204-339-6456
Fax 1-204-334-1800
www.duxtonwindows.com

Jamb & Interior Options; TYPICAL FOR ALL FRAME TYPES

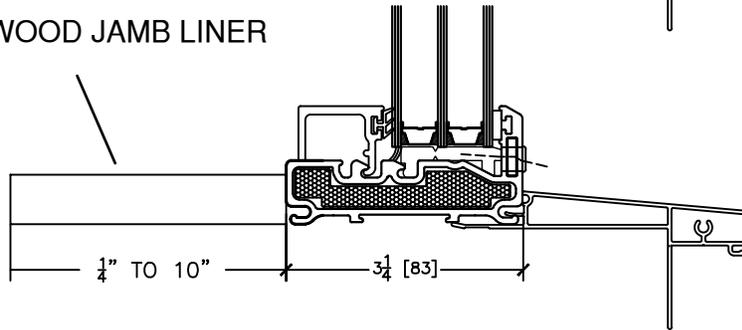
CELLULAR JAMB LINER



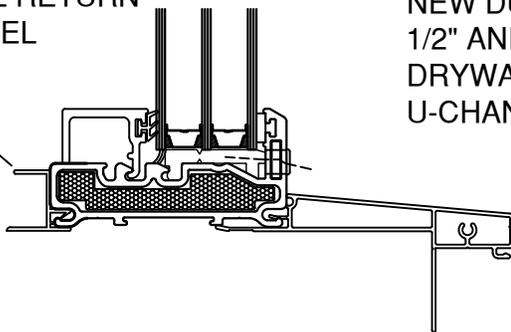
PCH JAMB LINER



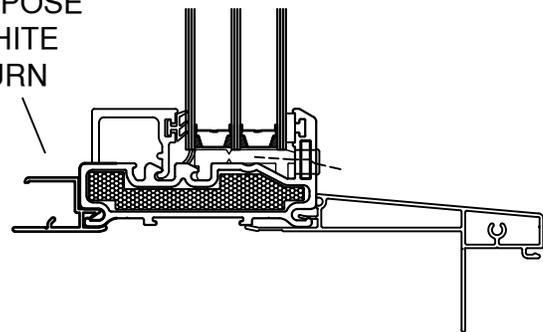
OTHER WOOD JAMB LINER



3/4" WHITE
DRYWALL RETURN
U-CHANNEL



NEW DUAL PURPOSE
1/2" AND 5/8" WHITE
DRYWALL RETURN
U-CHANNEL





Installation Clip; TYPICAL FOR ALL FRAME TYPES

- A. CORNER ANCHORS – SECURE APPROXIMATELY 4” FROM THE CORNERS
- B. PERIMETER ANCHORS – SPACING SHOULD NOT EXCEED 24” APART CENTER TO CENTER
- C. MULLION AND TRANSOM ANCHORS – ALWAYS ANCHOR WITHIN 4” OF MULLION OR TRANSOM

