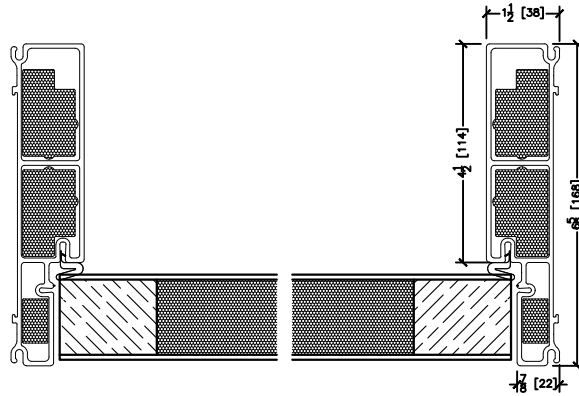
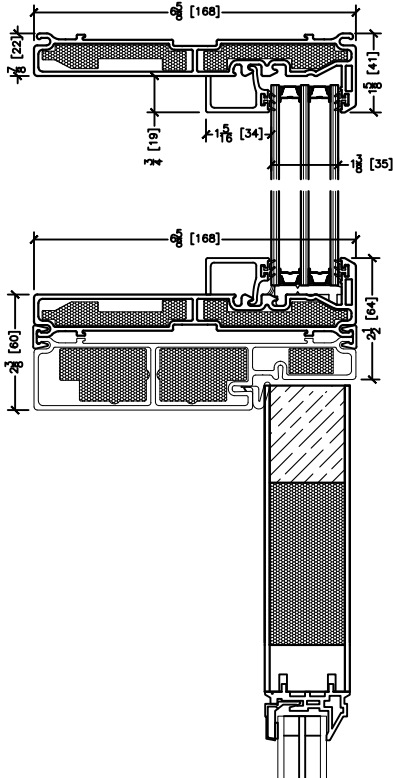


Triple Pane Section Drawings

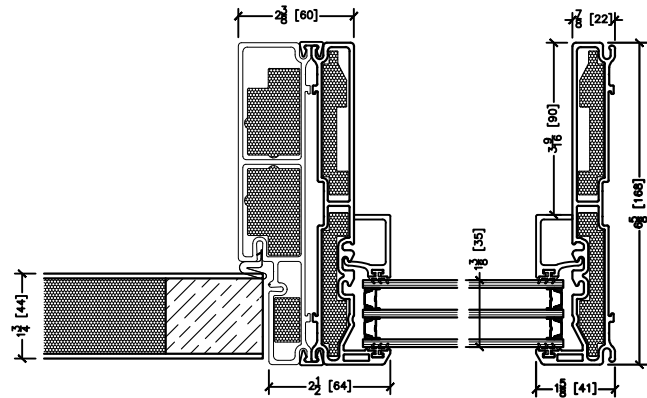
Rough openings are 1/2" typical on head & jamb only

① FIXED TRANSOM



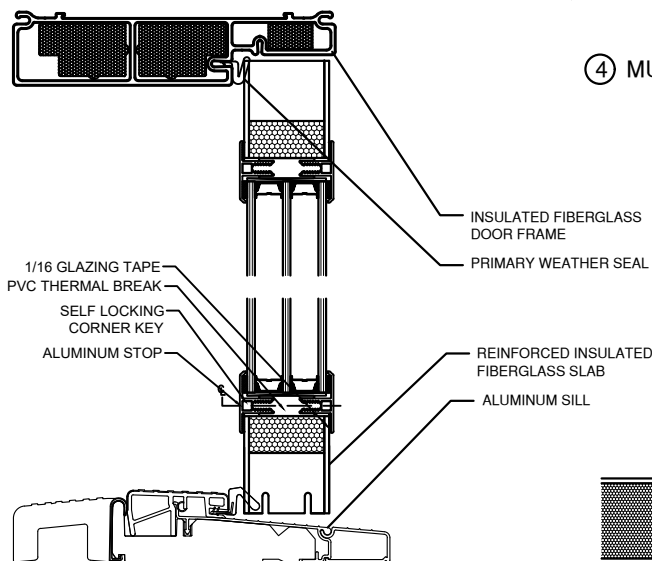
③ OUTSWING DOOR JAMB

② TRIMLITE FLUSH GLAZE

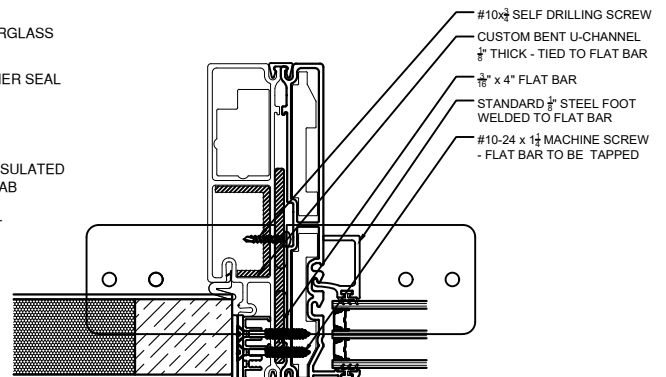


④ MULLION: DOOR / FIXED SIDELITE ⑤ FIXED JAMB

⑧ DOOR HEAD



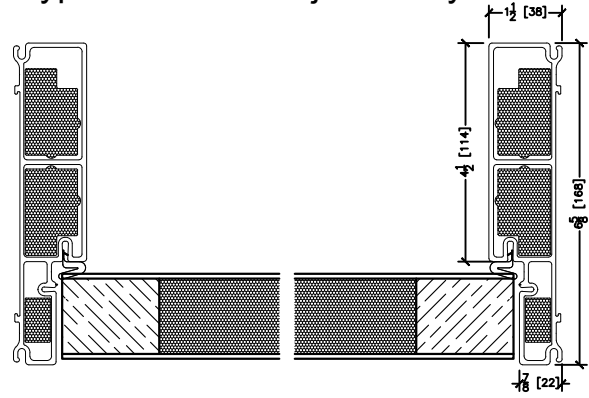
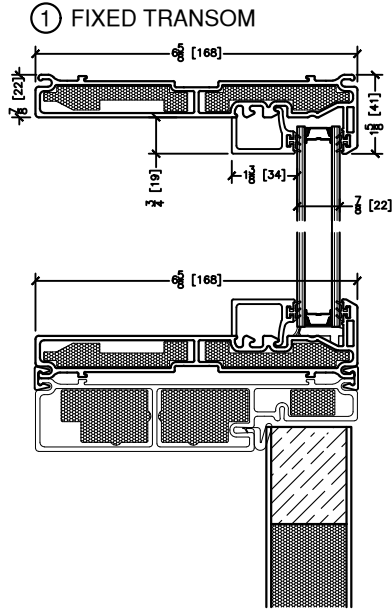
⑨ DOOR SILL



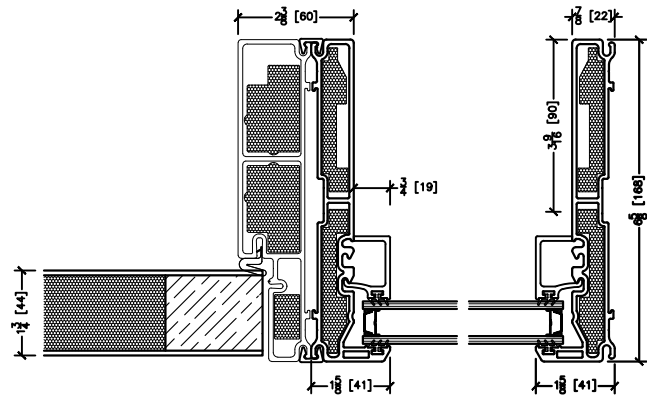
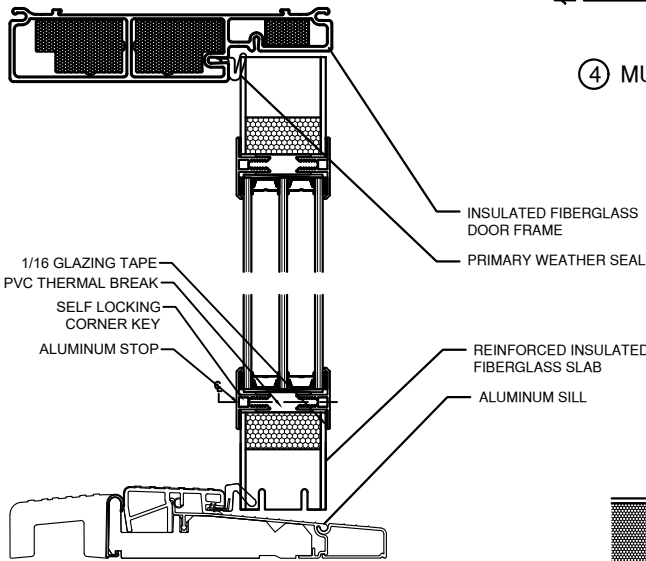
MULLION: 658D DOOR / FIXED SIDELITE

Dual Pane Section Drawings

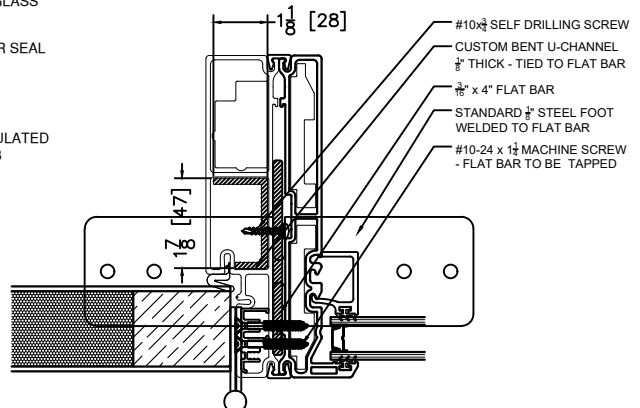
Rough openings are 1/2" typical on head & jamb only



⑦ DOOR HEAD



⑧ DOOR SILL



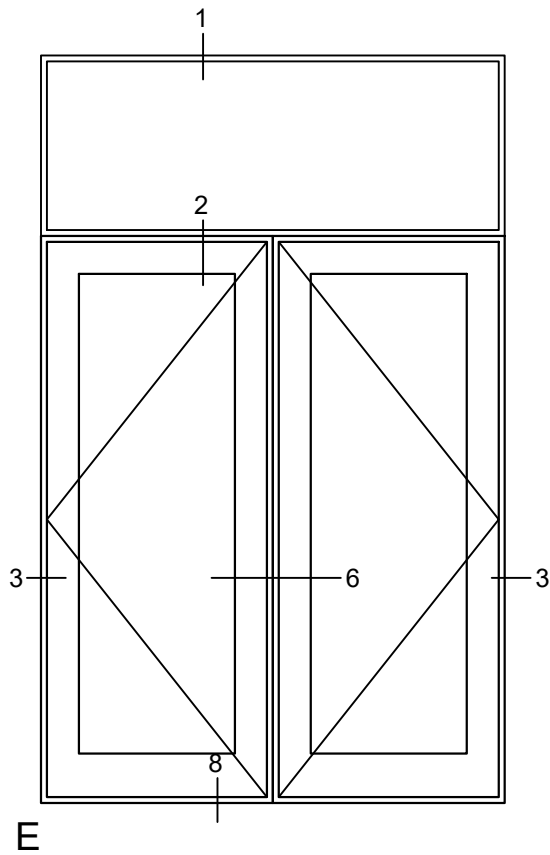
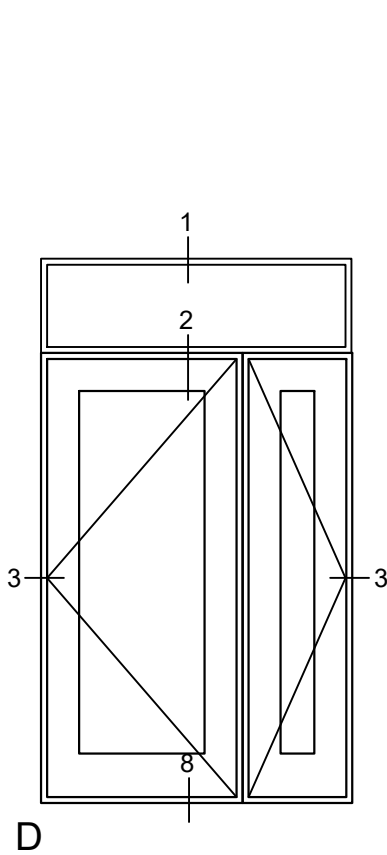
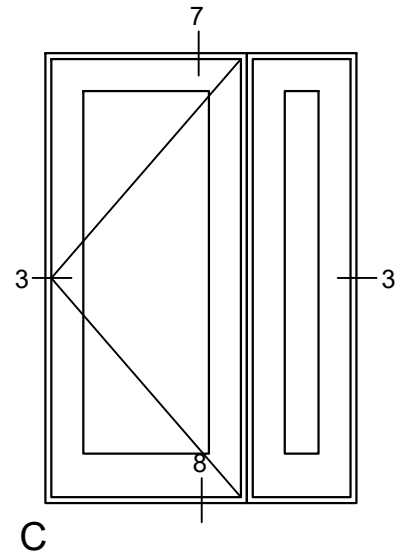
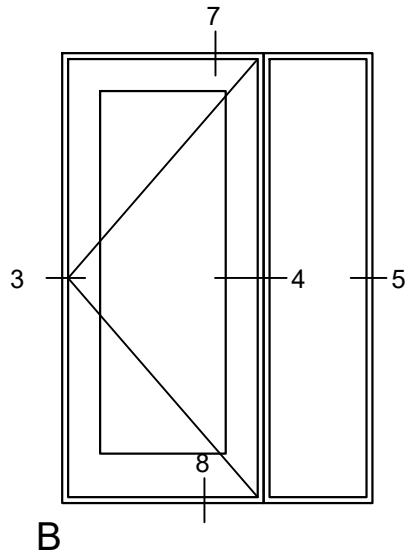
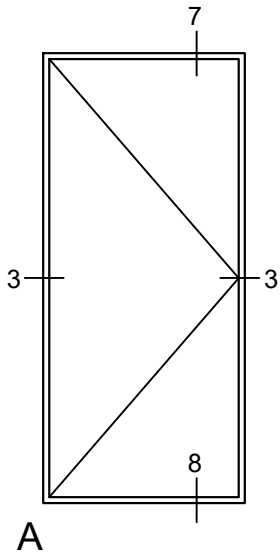
MULLION: 658D DOOR / FIXED SIDELITE



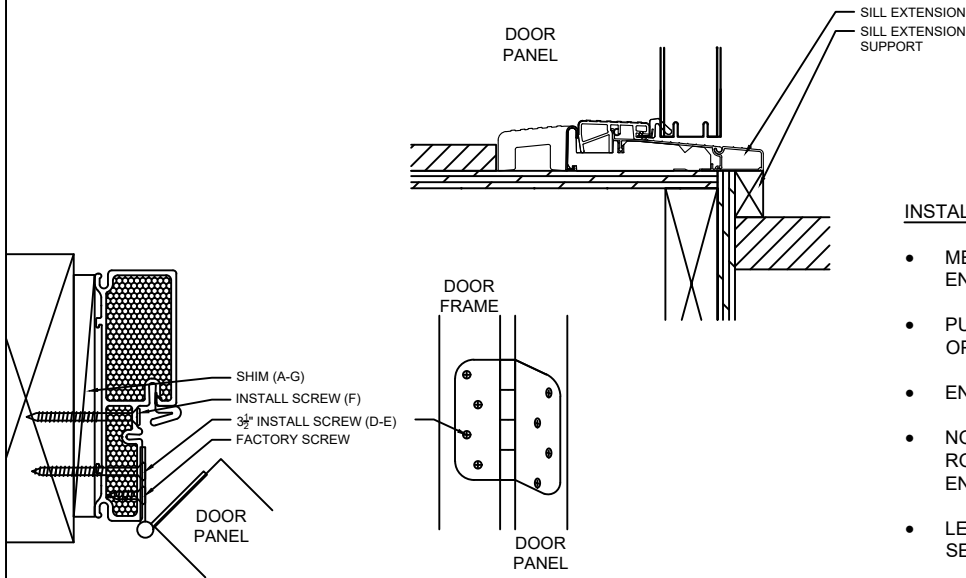
Series 658 Fiberglass Outswing Doors

45 Higgins Ave.
Winnipeg MB R3B 0A8
Tel. 1-204-339-6456
Fax 1-204-334-1800
www.duxtonwindows.com

Dual Pane Section Drawings



Installation Details

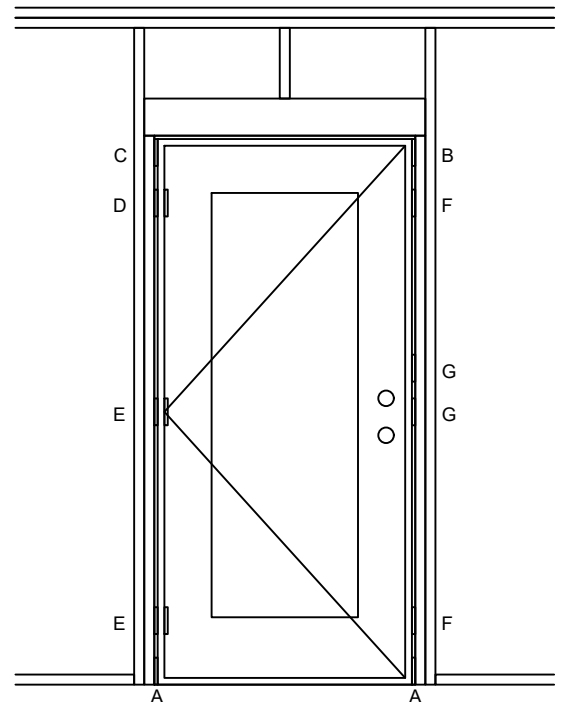
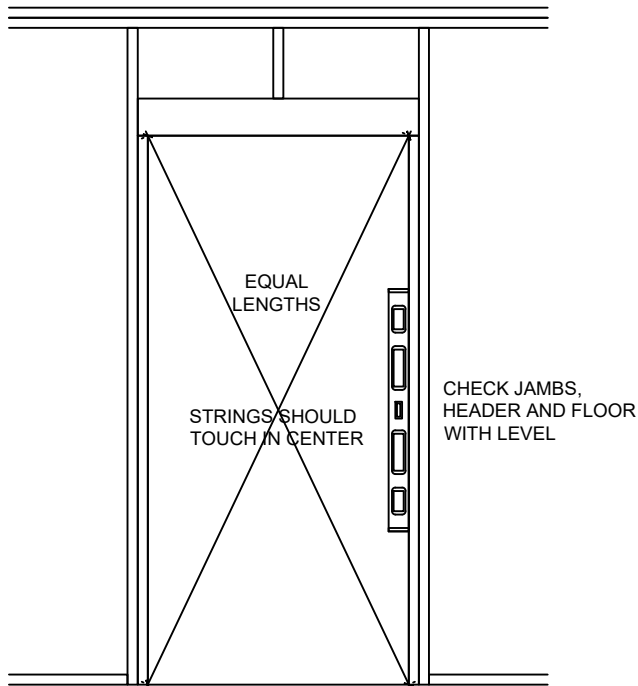


CHECK & PREPARE OPENING

- ROUGH OPENING SHOULD MEASURE FRAME HEIGHT PLUS $\frac{1}{2}$ " AND FRAME WIDTH PLUS 1".
- USE LEVEL TO ENSURE FRAMING/WALLS ARE PLUMB.
- "STRING TEST" TO ENSURE WALLS ARE ON SAME PLANE.
- SILL SHOULD BE LEVEL, SOLID & CLEAN.

INSTALLATION TIPS

- MEASURE FRAME DIAGONALLY ON BOTH SIDES TO ENSURE FRAME IS SQUARE
- PUSH DOOR FRAME ALL THE WAY INTO ROUGH OPENING - NO GAPS BEHIND NAILING FIN
- ENSURE DOOR IS SQUARE, LEVEL, AND PLUMB
- NO SHIMS BENEATH DOOR. APPLY SILICONE TO ROUGH SILL & SET DOOR DIRECTLY ON BEADS ENSURE SILL EXTENSION IS SUPPORTED
- LETTERS A-G ON DIAGRAM BELOW SHOW SHIM SEQUENCE.
- (D & E) - REMOVE A FACTORY SCREW FROM EACH HINGE AND REPLACE WITH A 3-1/2" #10 SCREW TO FASTEN INTO STUD.
- (F) DRIVE SCREW THROUGH THE FRAME BEHIND WEATHER STRIP INTO STUD.
- (G) REMOVE A FACTORY SCREW FROM EACH STRIKE PLATE AND REPLACE WITH A 3" SCREW TO FASTEN INTO STUD.
- INSWING DOORS - ADJUST SILL HEIGHT FOR 20-30% COMPRESSION OF SWEEP: TIGHTEN SCREWS TO RAISE; LOOSEN TO LOWER.



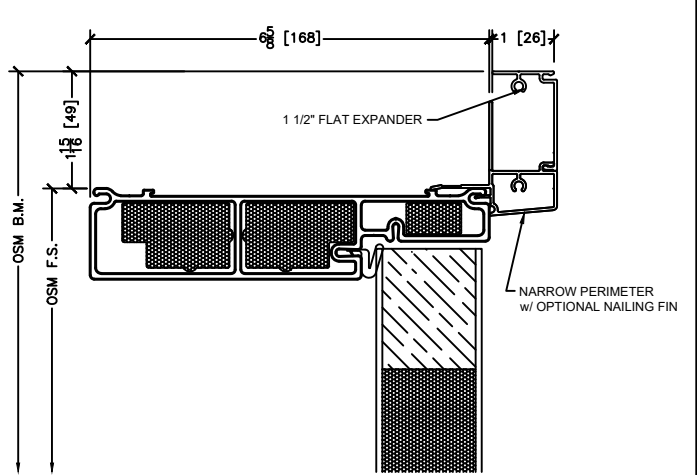
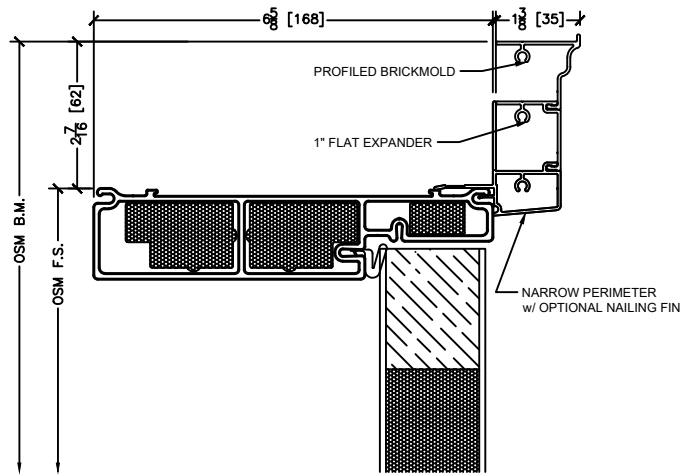
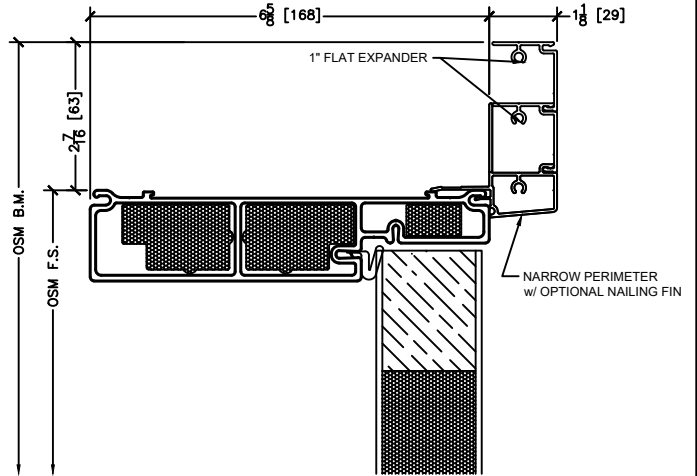
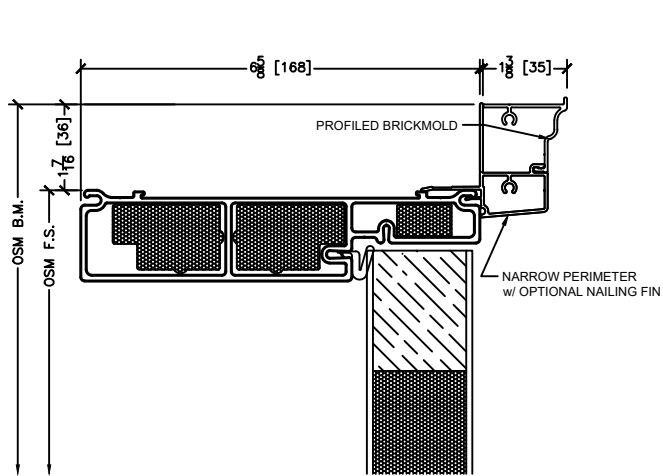
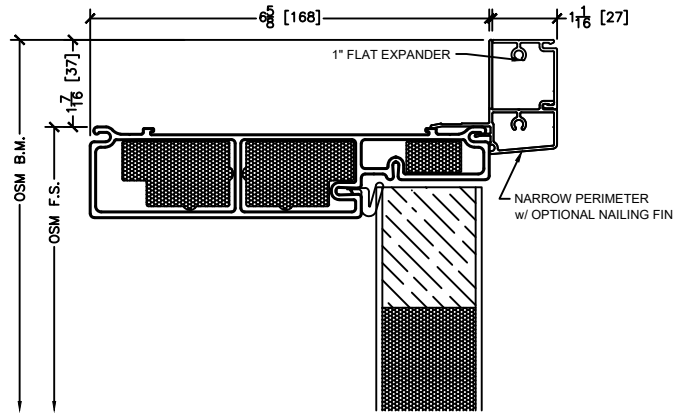
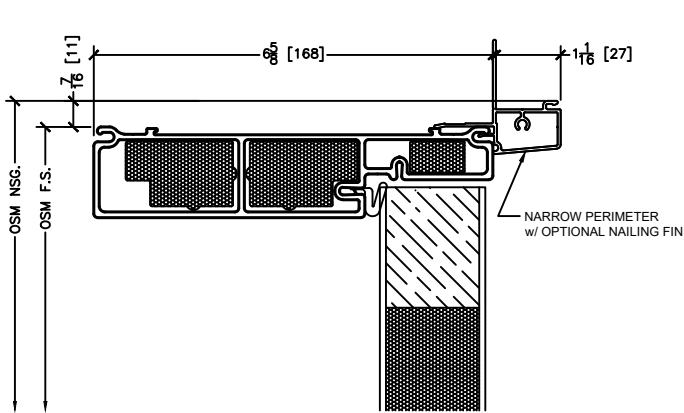


Series 658 Fiberglass Outswing Doors

45 Higgins Ave.
Winnipeg MB R3B 0A8
Tel. 1-204-339-6456
Fax 1-204-334-1800
www.duxtonwindows.com

658 Outswing Narrow Perimeter w/ Brickmold Options

Rough openings are 1/2" typical on head & jamb only



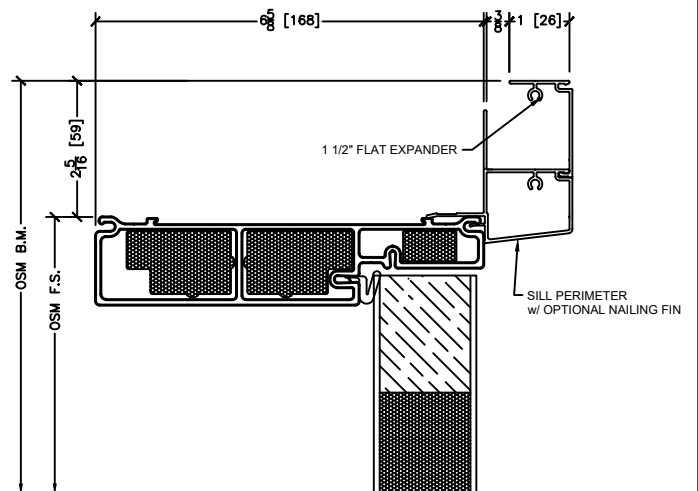
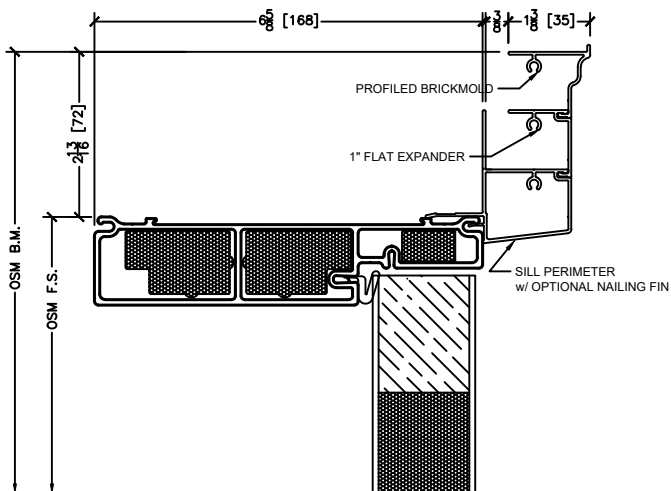
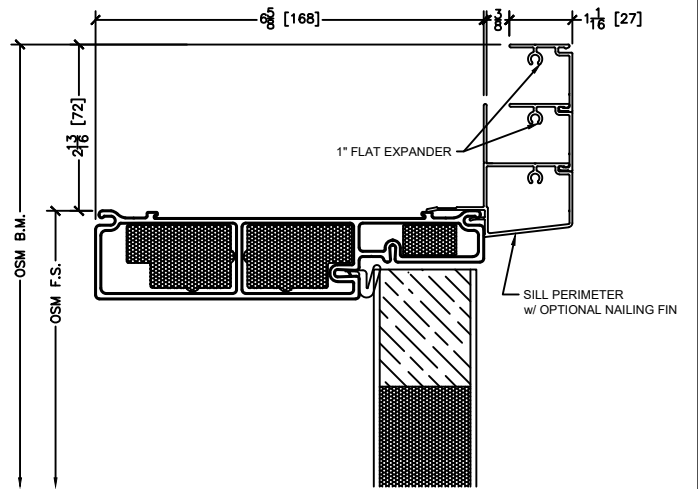
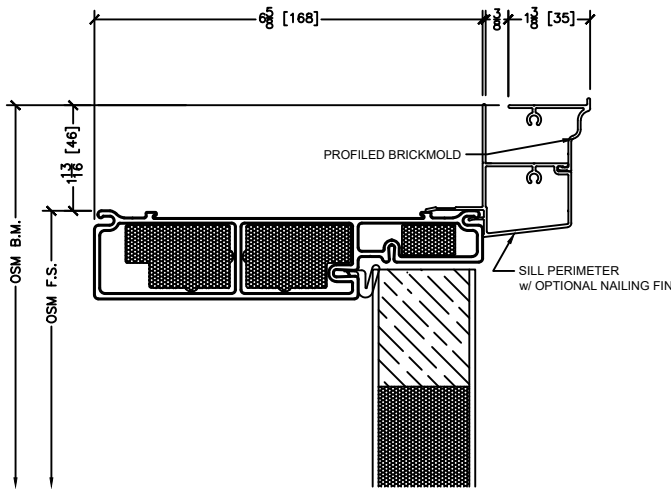
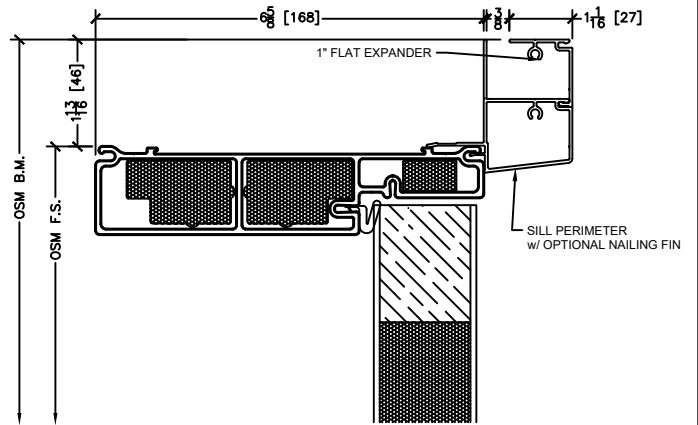
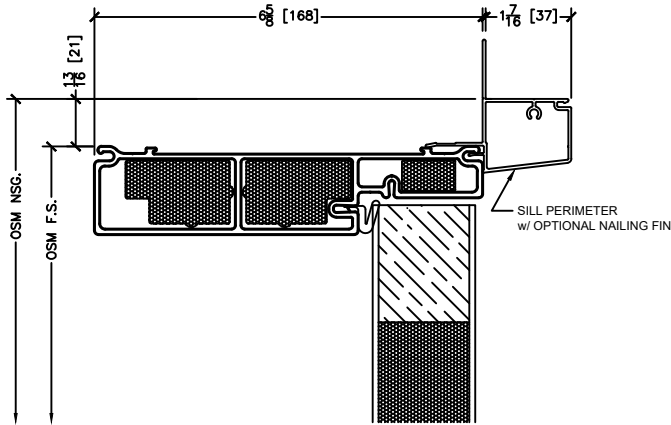


Series 658 Fiberglass Outswing Doors

45 Higgins Ave.
Winnipeg MB R3B 0A8
Tel. 1-204-339-6456
Fax 1-204-334-1800
www.duxtonwindows.com

658 Outswing Sill Perimeter w/ Brickmold Options

Rough openings are 1/2" typical on head & jamb only



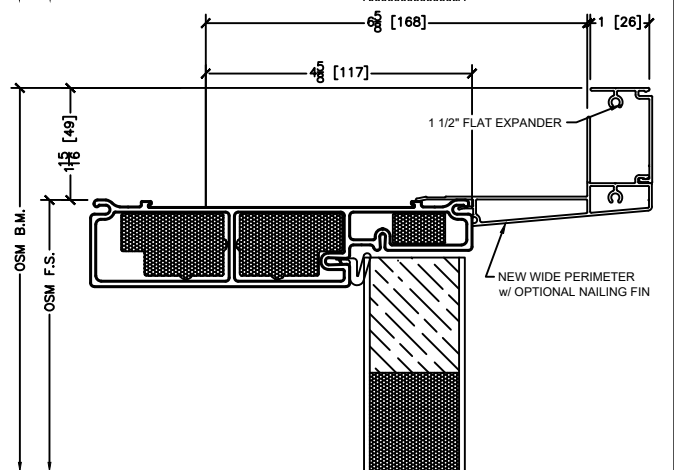
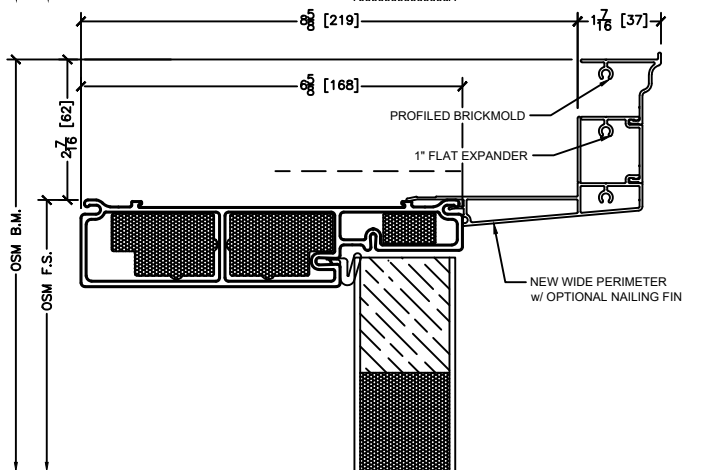
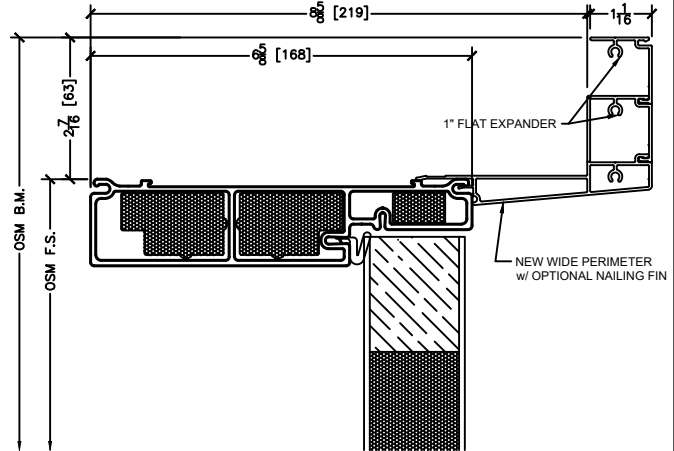
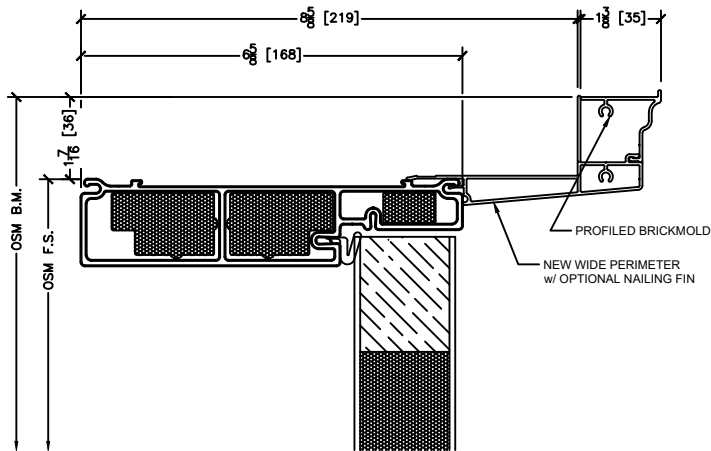
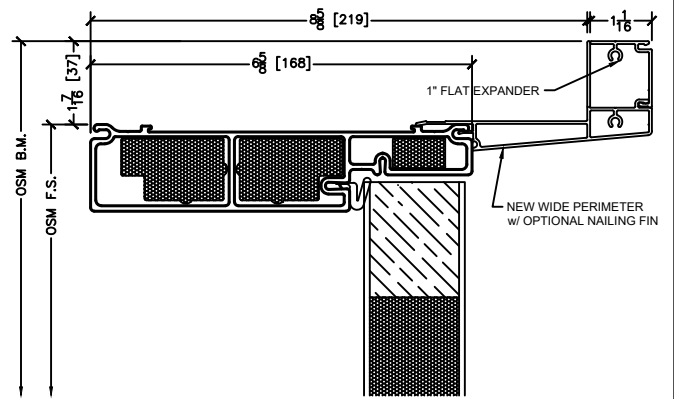
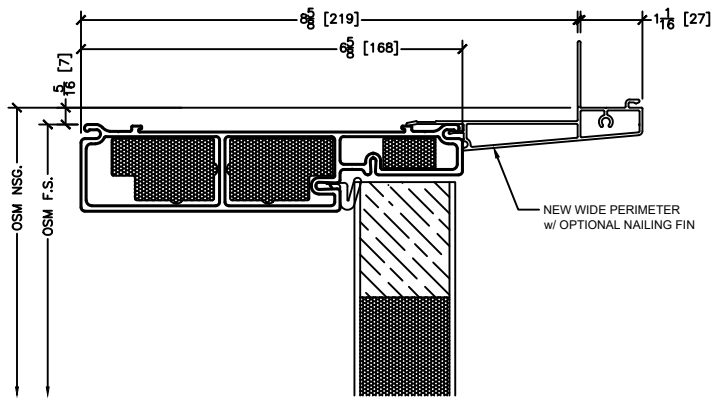


Series 658 Fiberglass Outswing Doors

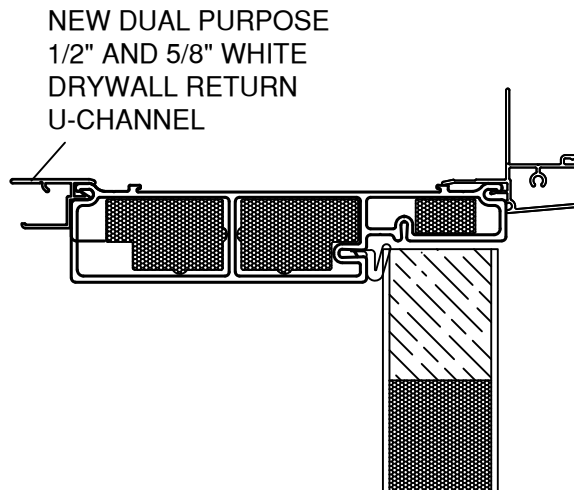
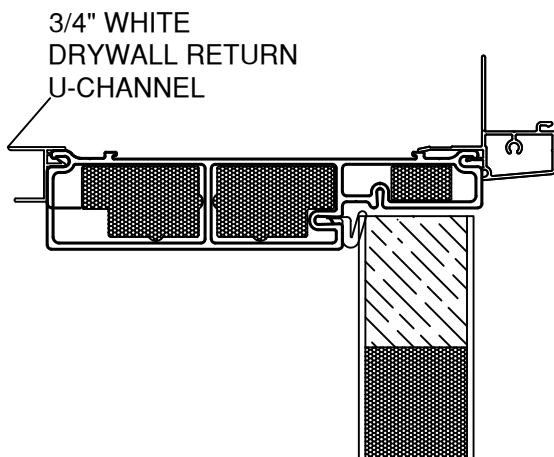
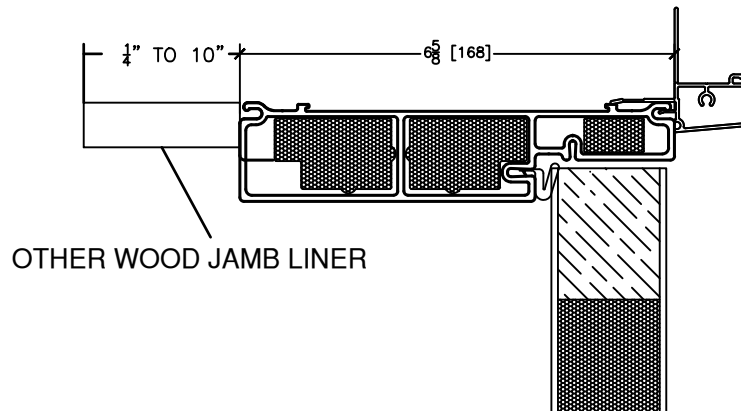
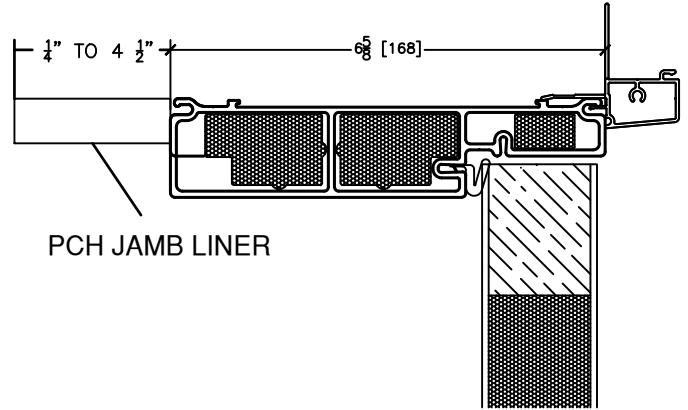
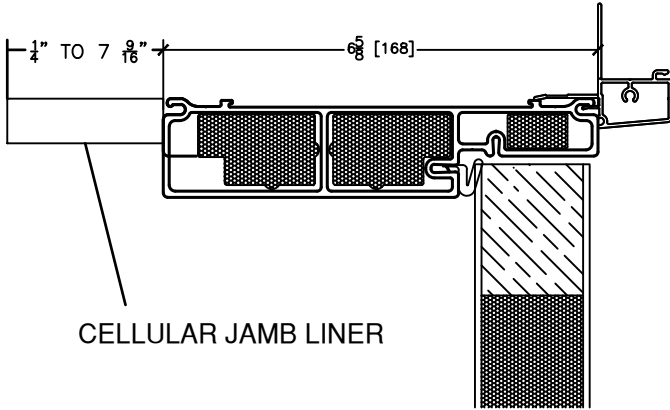
45 Higgins Ave.
Winnipeg MB R3B 0A8
Tel. 1-204-339-6456
Fax 1-204-334-1800
www.duxtonwindows.com

658 Outswing New Wide Perimeter w/ Brickmold Options

Rough openings are 1/2" typical on head & jamb only



Jamb & Interior Options



Other Perimeter Options

