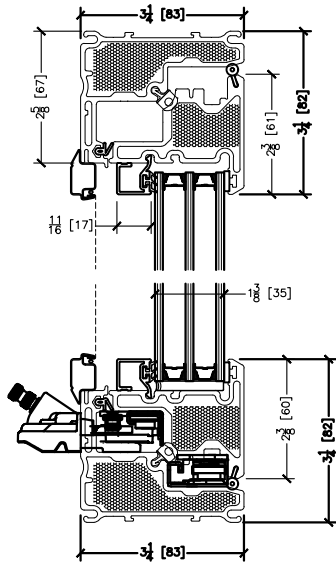


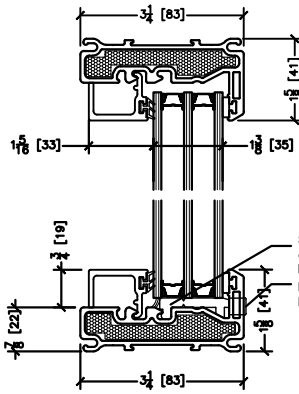
Triple Pane Section Drawings

① 328 OP HEAD

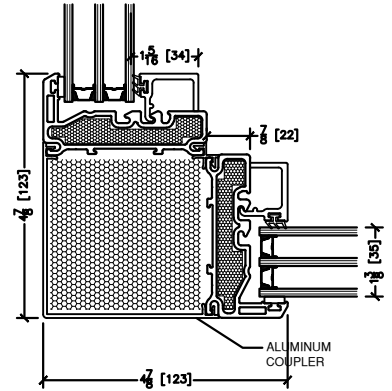


② 328 OP SILL

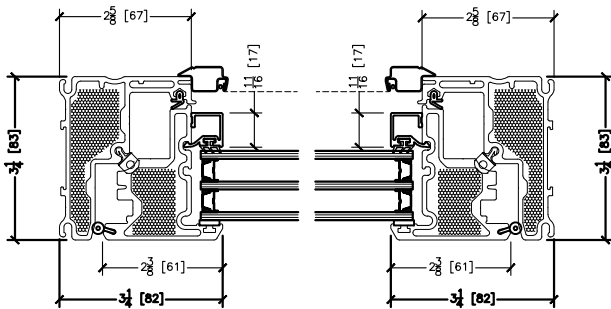
③ LP FIXED HEAD



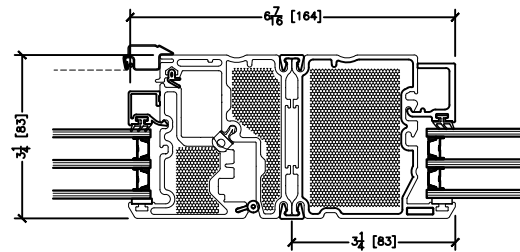
④ LP FIXED SILL



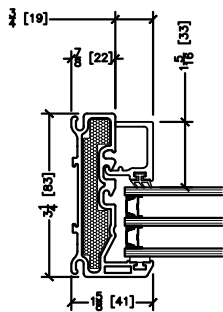
⑤ 90° BAY COVER



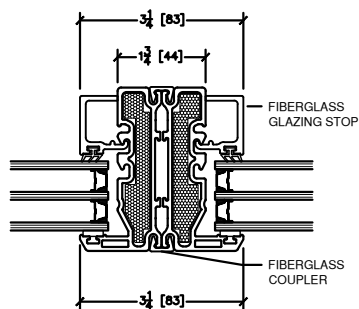
⑥ 328 OP JAMB



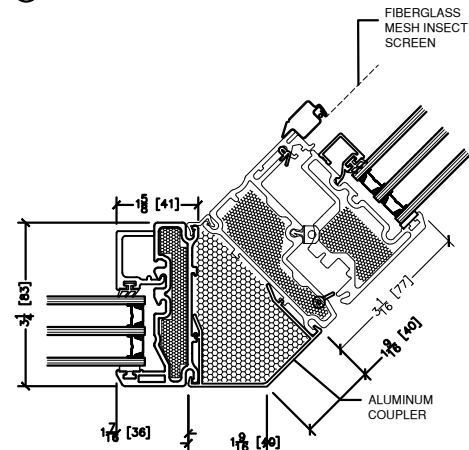
⑦ MULLION: 328 OP / 328 HP FIXED



⑧ LP FIXED JAMB



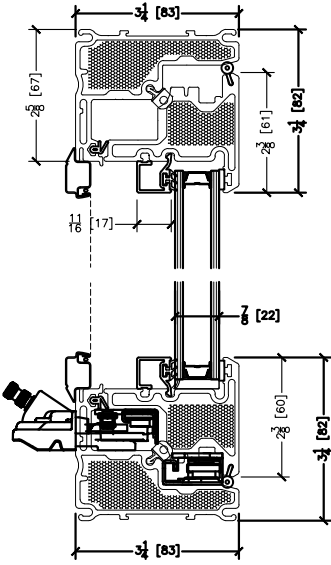
⑨ MULLION: LP / LP FIXED



⑩ 45° BAY COVER

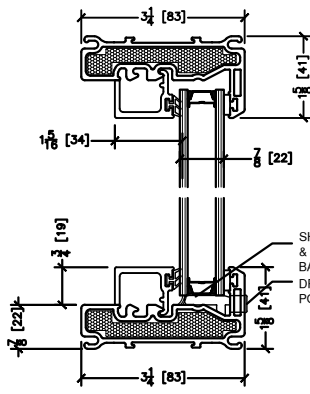
Dual Pane Section Drawings

① 328 OP HEAD

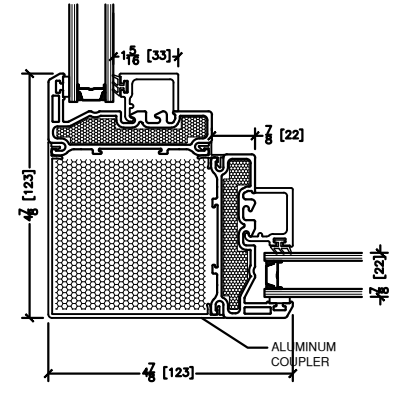


② 328 OP SILL

③ LP FIXED HEAD



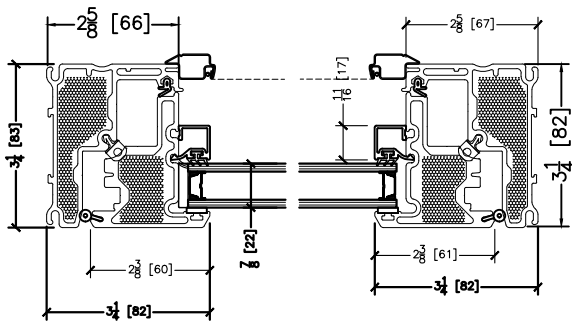
④ LP FIXED SILL



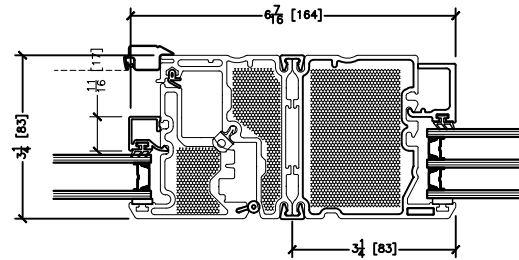
⑤ 90° BAY COVER

SHIM SILICONE & OPTIONAL BACKER ROD
DRAINAGE PORT

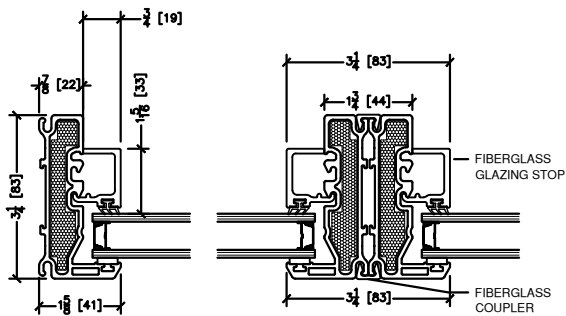
ALUMINUM COUPLER



⑥ 328 OP JAMB



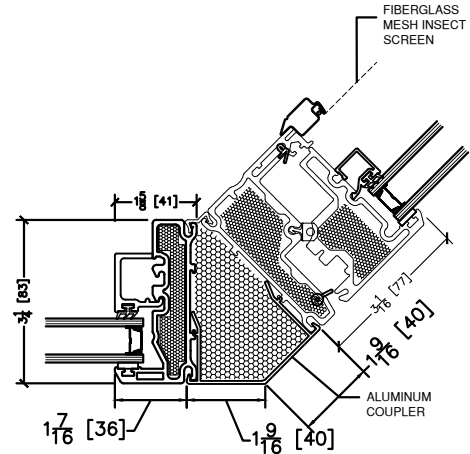
⑦ MULLION: 328 OP / 328 HP FIXED



⑧ LP FIXED JAMB

⑨ MULLION: LP / LP FIXED

FIBERGLASS GLAZING STOP
FIBERGLASS COUPLER



⑩ 45° BAY COVER

FIBERGLASS MESH INSECT SCREEN

ALUMINUM COUPLER

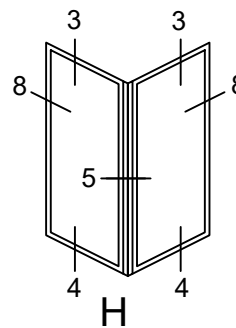
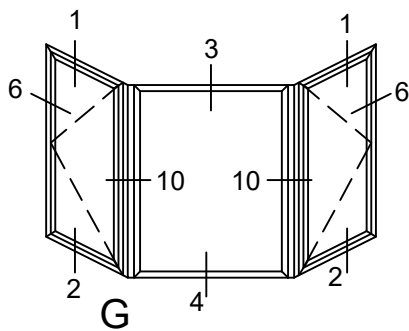
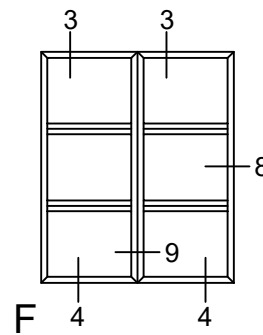
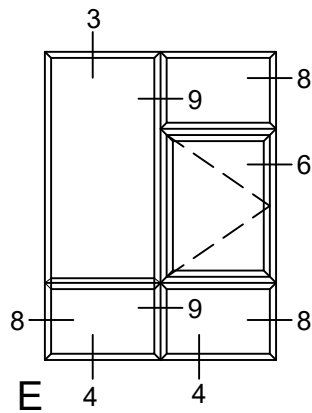
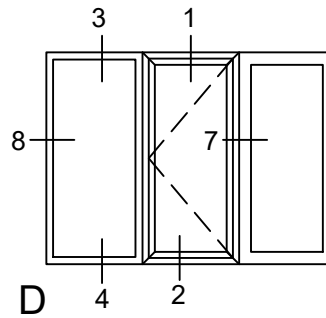
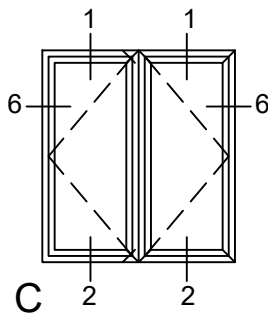
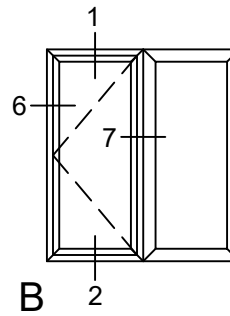
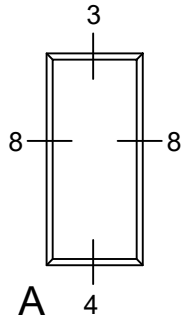


Series 328 Fiberglass Windows

FiberWall™ Fixed, Casement and Awning

45 Higgins Ave.
Winnipeg MB R3B 0A8
Tel. 1-204-339-6456
Fax 1-204-334-1800
www.duxtonwindows.com

Typical Elevations





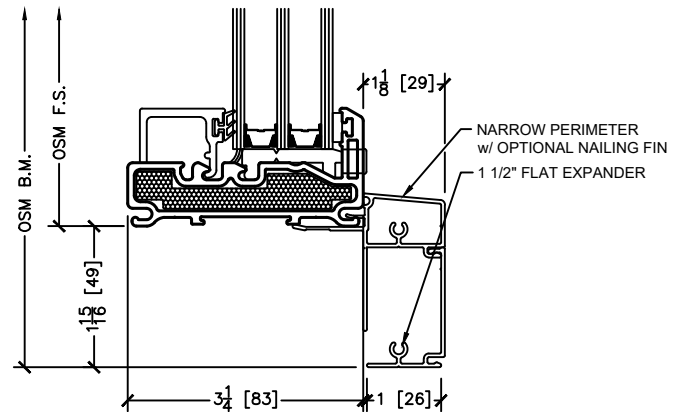
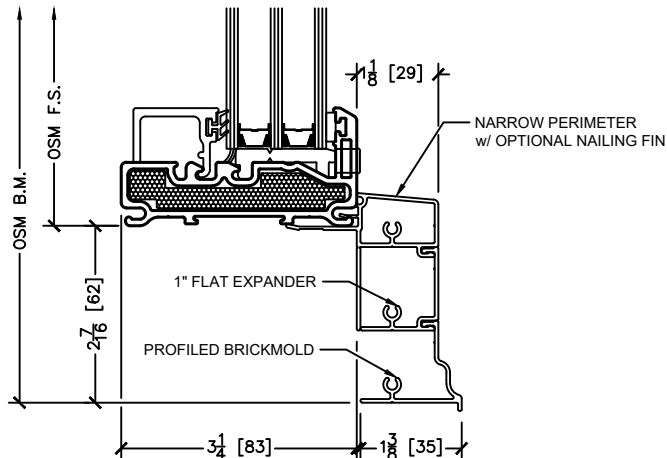
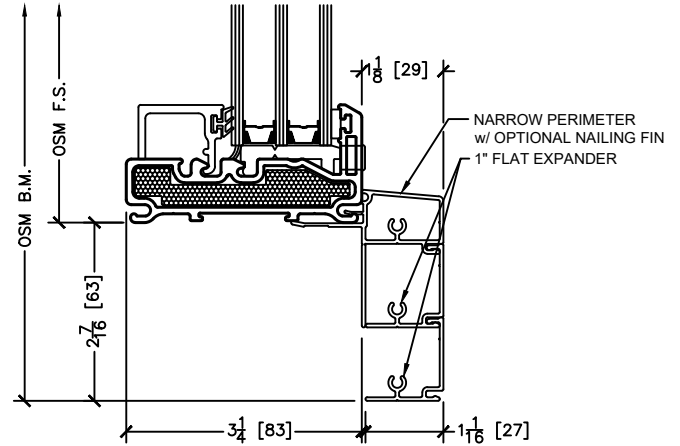
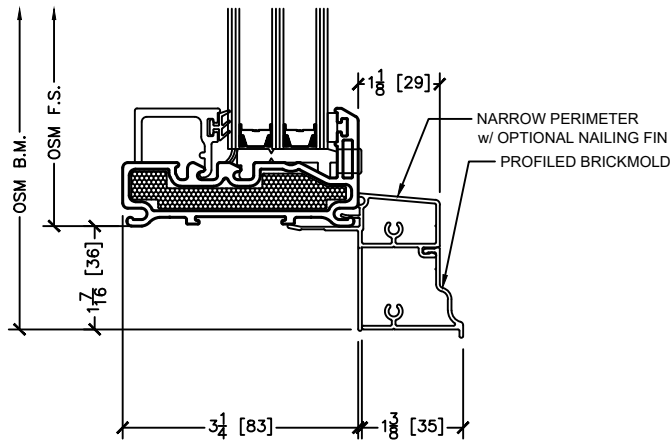
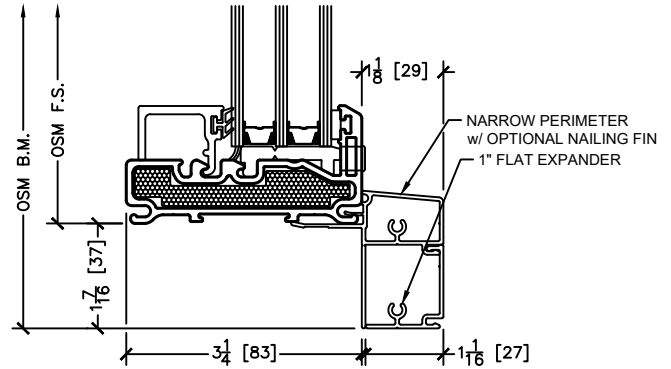
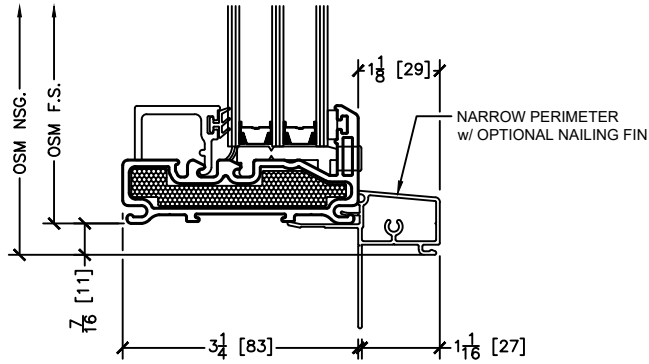
Series 328 Fiberglass Windows

FiberWall™ Fixed, Casement and Awning

45 Higgins Ave.
Winnipeg MB R3B 0A8
Tel. 1-204-339-6456
Fax 1-204-334-1800
www.duxtonwindows.com

Triple Pane Narrow Perimeter w/ Brickmold Options

Rough openings are 1/2" typical all around



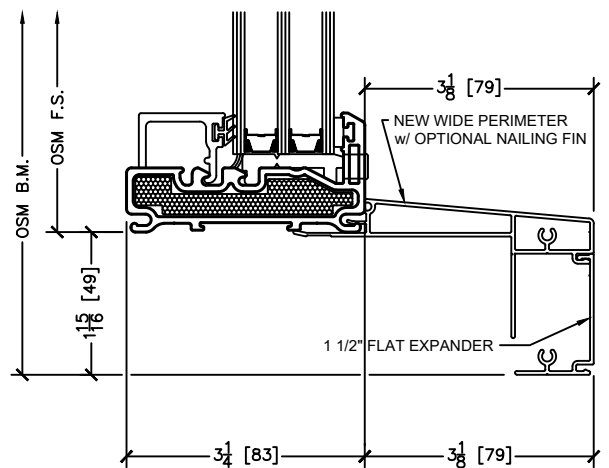
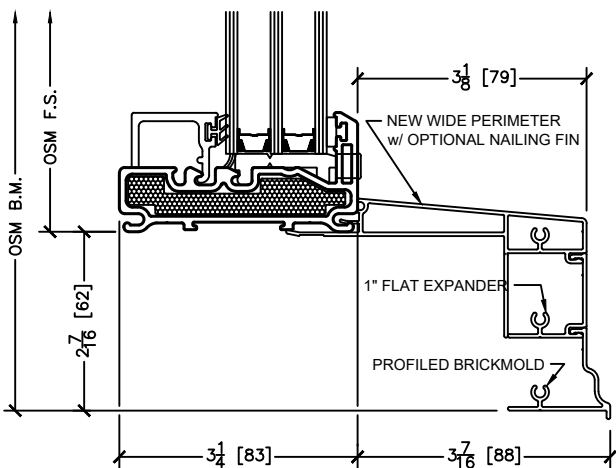
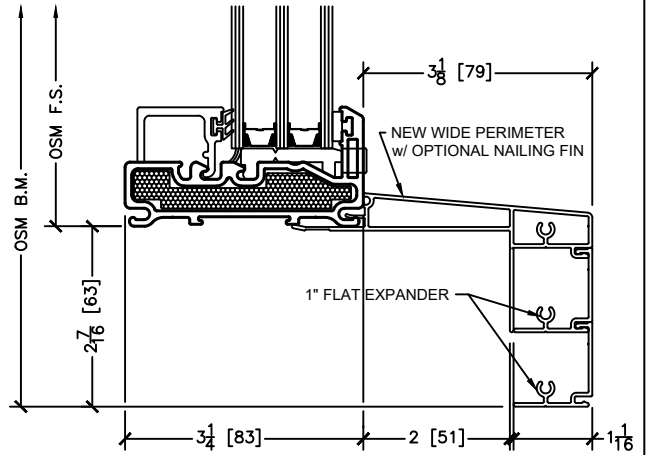
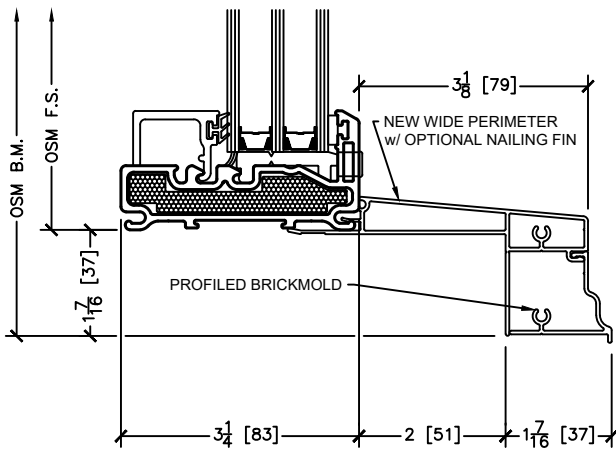
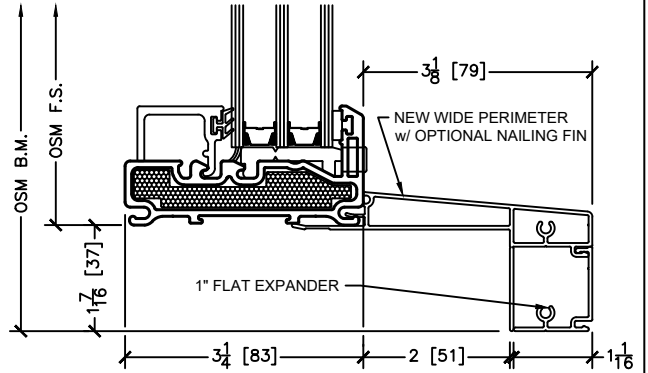
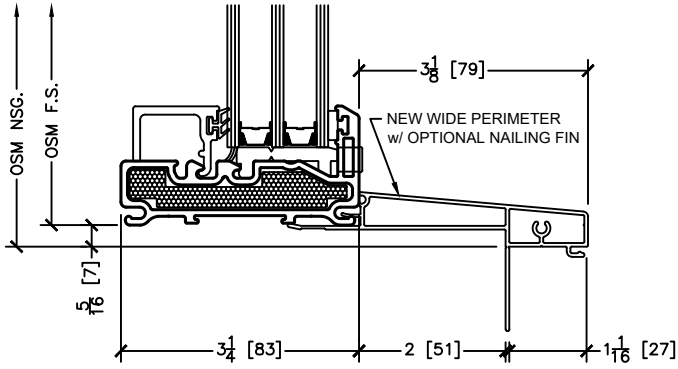


Series 328 Fiberglass Windows
 FiberWall™ Fixed, Casement and Awning

45 Higgins Ave.
 Winnipeg MB R3B 0A8
 Tel. 1-204-339-6456
 Fax 1-204-334-1800
 www.duxtonwindows.com

Triple Pane New Wide Perimeter w/ Brickmold Options

Rough openings are 1/2" typical all around





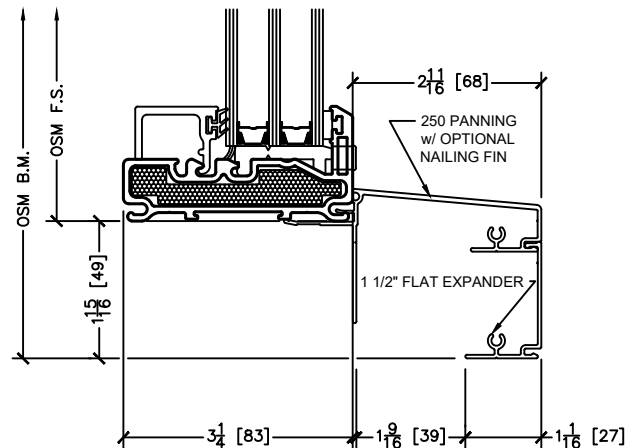
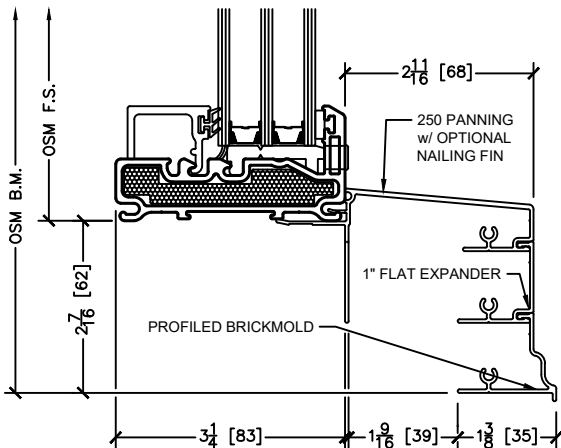
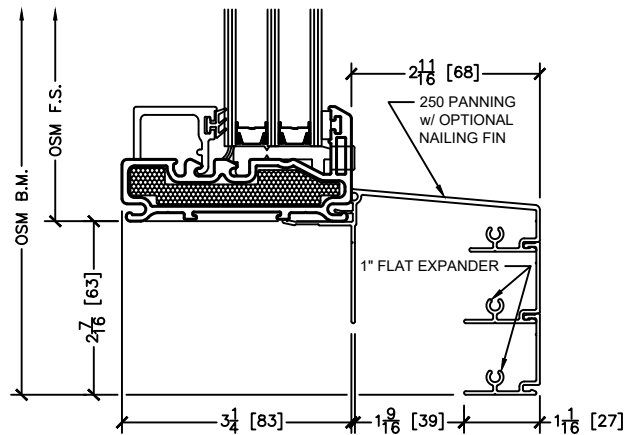
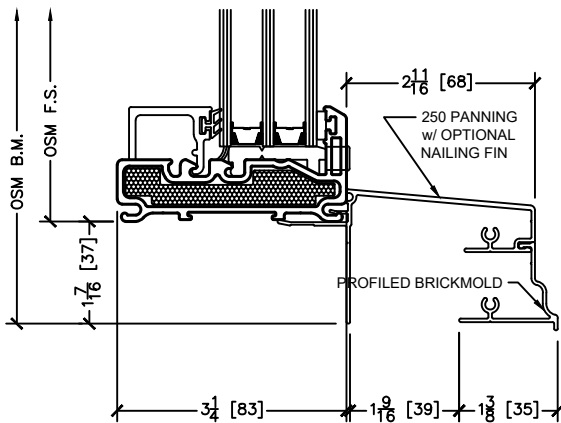
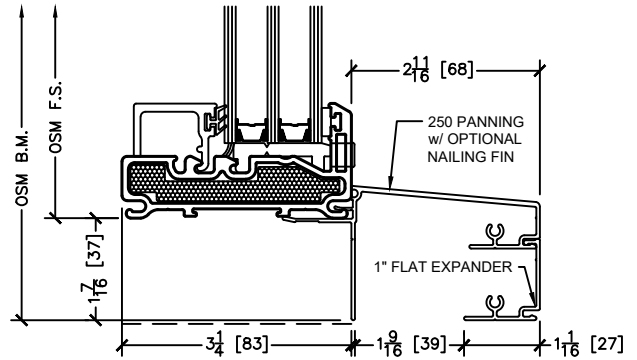
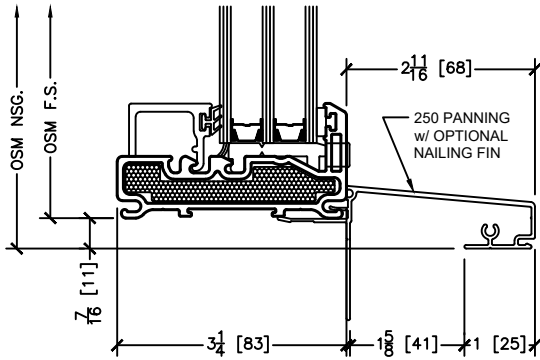
Series 328 Fiberglass Windows

FiberWall™ Fixed, Casement and Awning

45 Higgins Ave.
Winnipeg MB R3B 0A8
Tel. 1-204-339-6456
Fax 1-204-334-1800
www.duxtonwindows.com

Triple Pane 250 Panning Perimeter w/ Brickmold Options

Rough openings are 1/2" typical all around





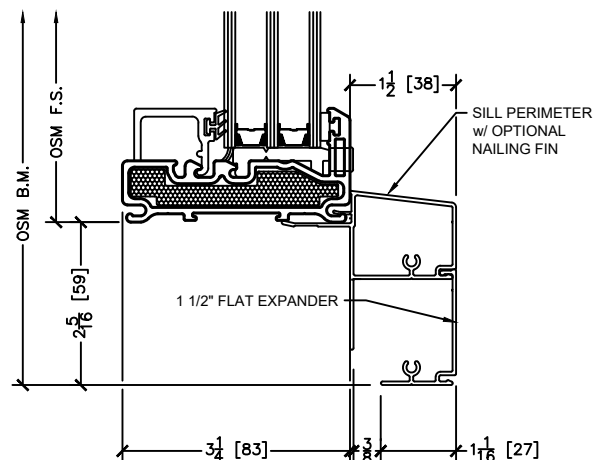
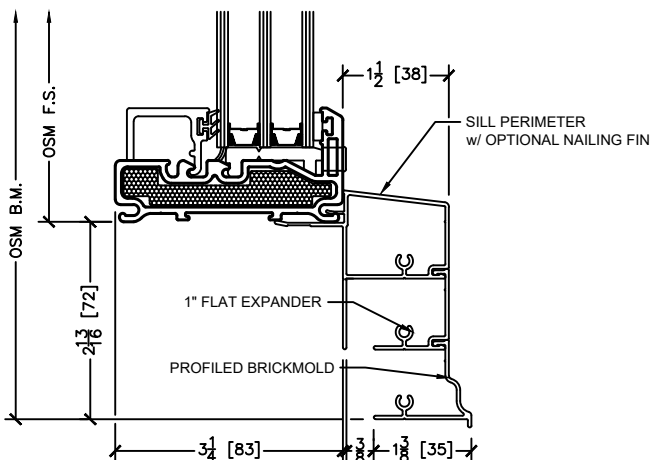
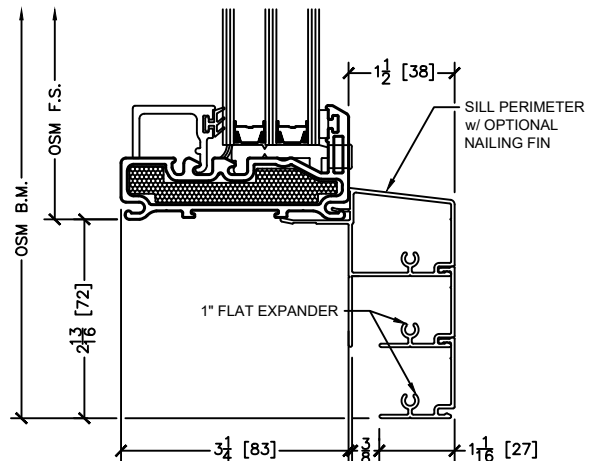
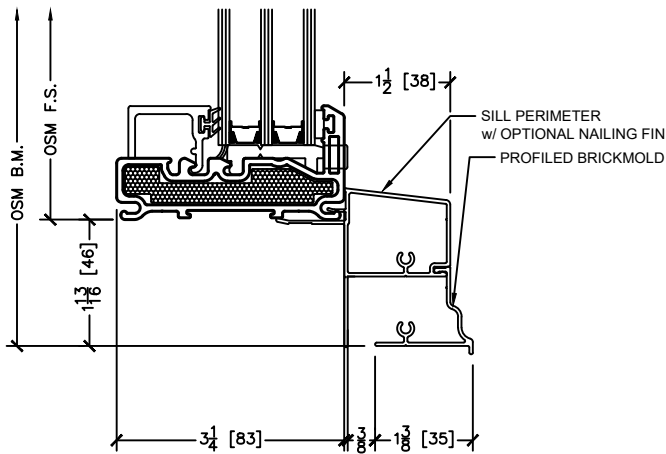
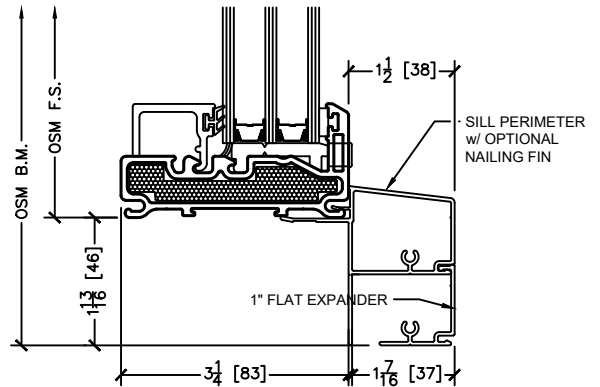
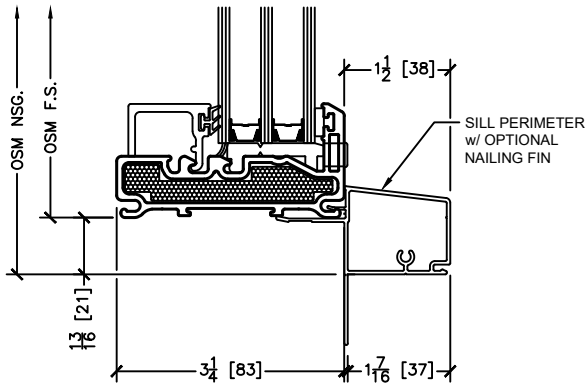
Series 328 Fiberglass Windows

FiberWall™ Fixed, Casement and Awning

45 Higgins Ave.
Winnipeg MB R3B 0A8
Tel. 1-204-339-6456
Fax 1-204-334-1800
www.duxtonwindows.com

Triple Pane Sill Perimeter w/ Brickmold Options

Rough openings are 1/2" typical all around



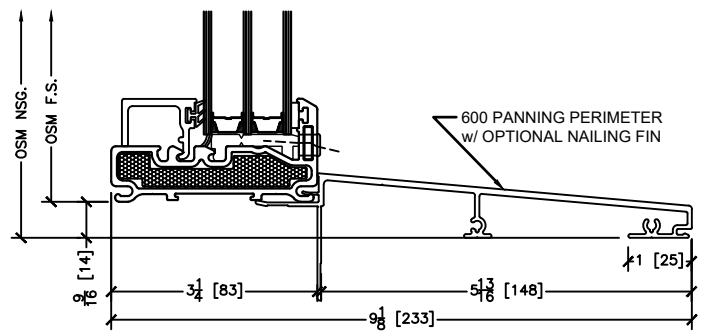
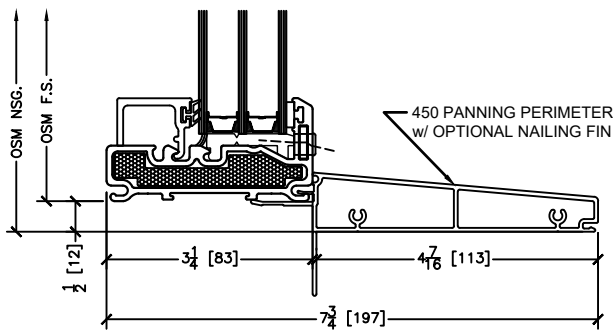
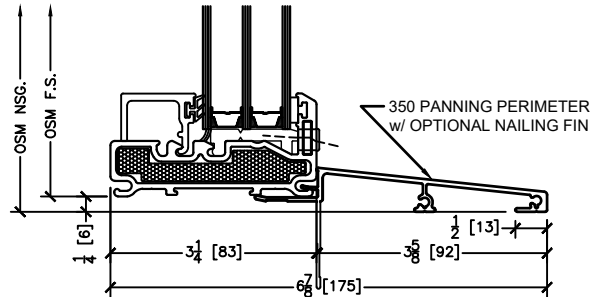
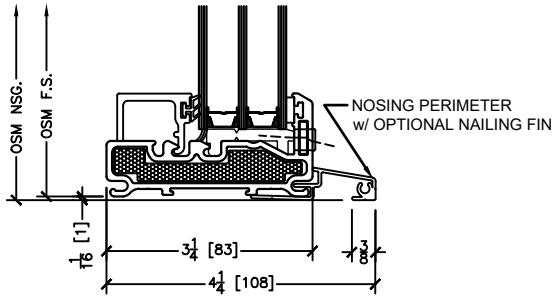


Series 328 Fiberglass Windows
FiberWall™ Fixed, Casement and Awning

45 Higgins Ave.
Winnipeg MB R3B 0A8
Tel. 1-204-339-6456
Fax 1-204-334-1800
www.duxtonwindows.com

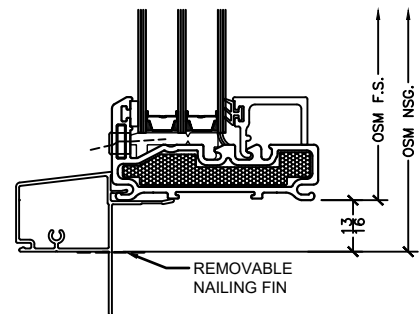
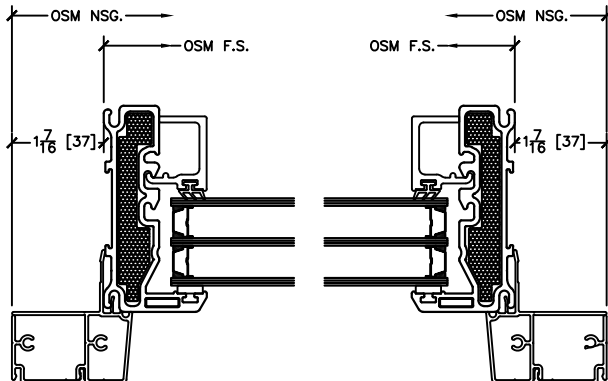
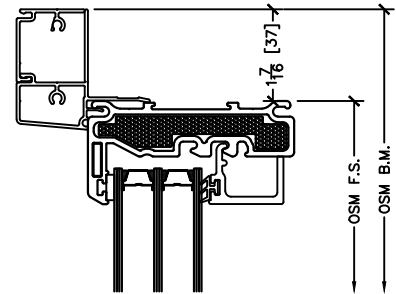
Triple Pane Other Perimeter Options

Rough openings are 1/2" typical all around



NARROW PERIMETER w/ SILL

NARROW PERIMETER WITH 1" FLAT EXPANDER (HEAD/JAMB)
SILL ON BOTTOM, NAILING FLANGE REMOVED ON SITE
USED IN CONJUNCTION TO REPLACE WOOD WINDOWS WITH A SILL DETAIL



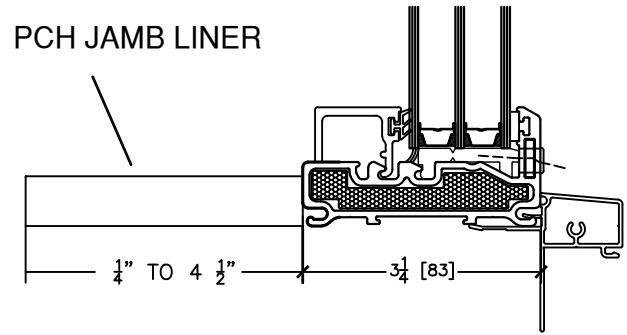
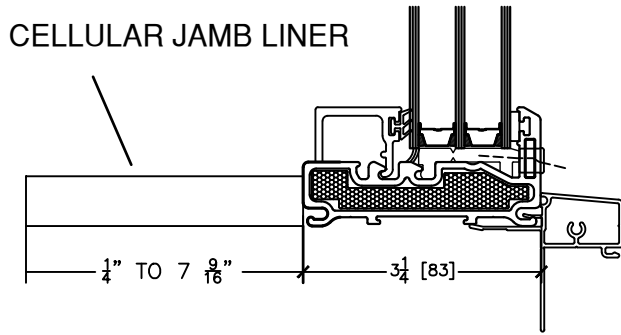


Series 328 Fiberglass Windows

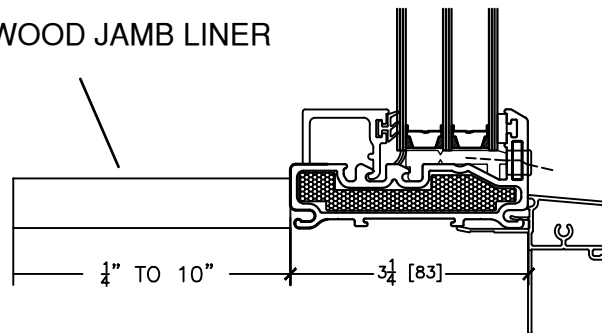
FiberWall™ Fixed, Casement and Awning

45 Higgins Ave.
Winnipeg MB R3B 0A8
Tel. 1-204-339-6456
Fax 1-204-334-1800
www.duxtonwindows.com

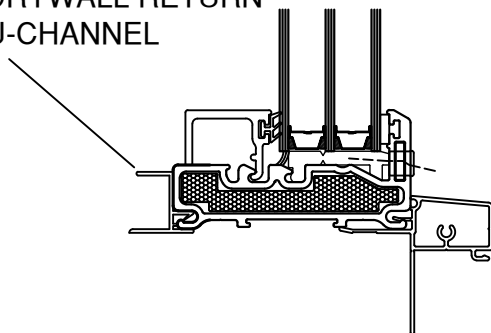
Jamb & Interior Options



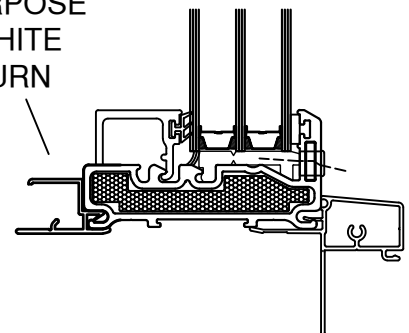
OTHER WOOD JAMB LINER



3/4" WHITE DRYWALL RETURN U-CHANNEL



NEW DUAL PURPOSE 1/2" AND 5/8" WHITE DRYWALL RETURN U-CHANNEL





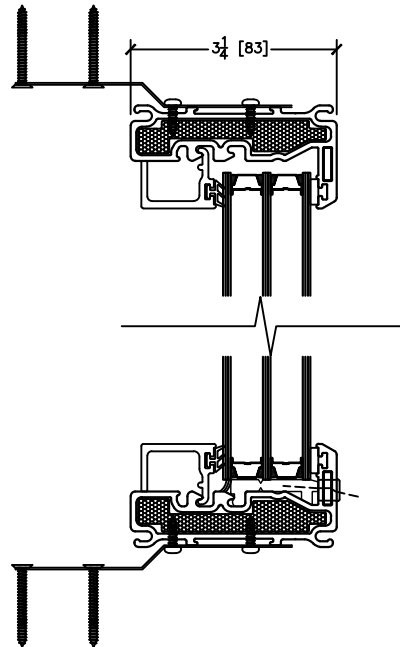
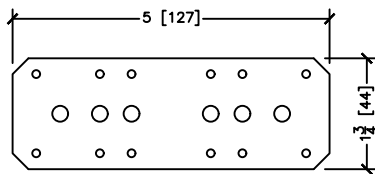
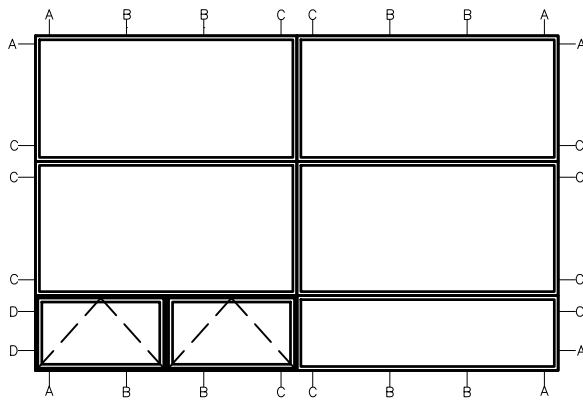
Series 328 Fiberglass Windows

FiberWall™ Fixed, Casement and Awning

45 Higgins Ave.
Winnipeg MB R3B 0A8
Tel. 1-204-339-6456
Fax 1-204-334-1800
www.duxtonwindows.com

Installation Clip

- A. CORNER ANCHORS – SECURE APPROXIMATELY 4” FROM THE CORNERS
- B. PERIMETER ANCHORS – SPACING SHOULD NOT EXCEED 24” APART CENTER TO CENTER
- C. MULLION AND TRANSOM ANCHORS – ALWAYS ANCHOR WITHIN 4” OF MULLION OR TRANSOM





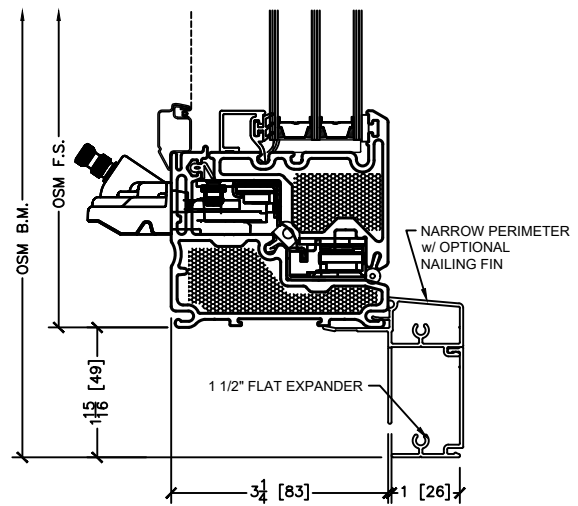
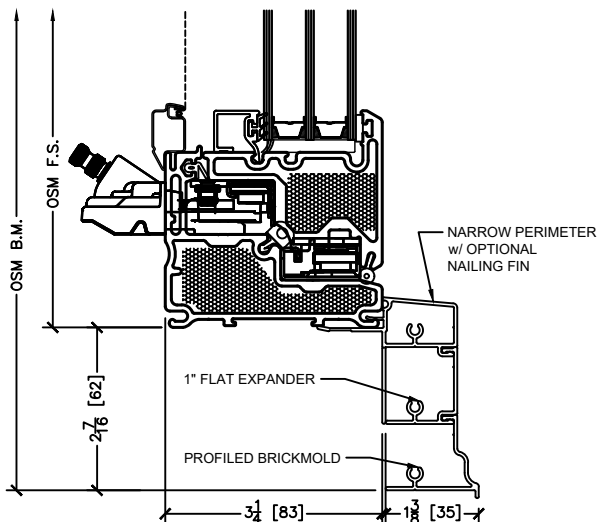
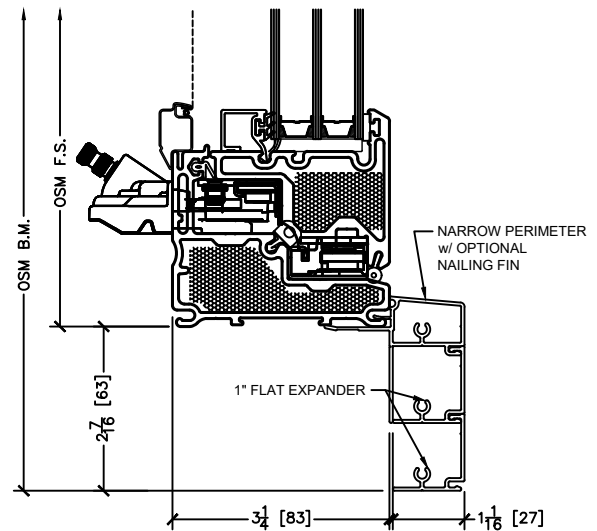
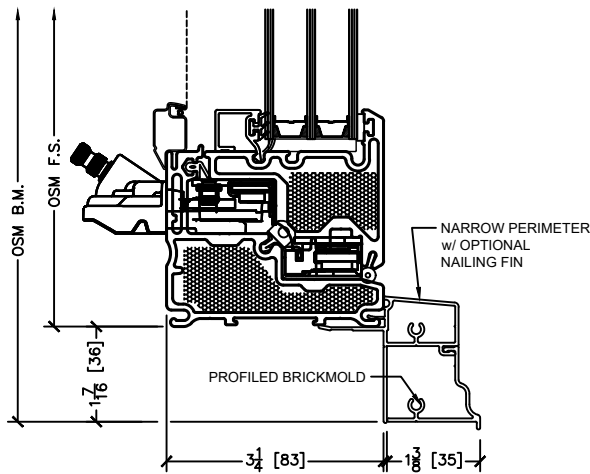
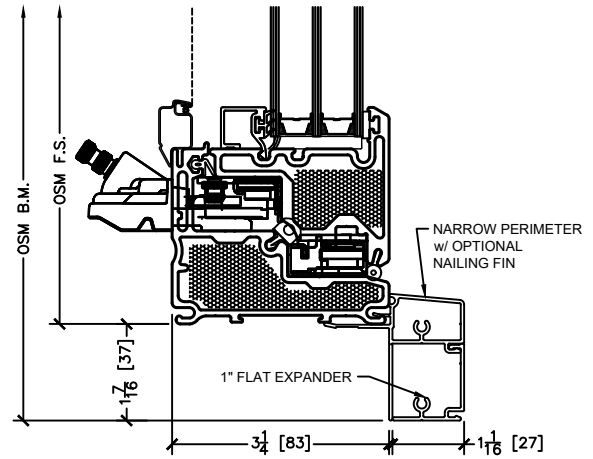
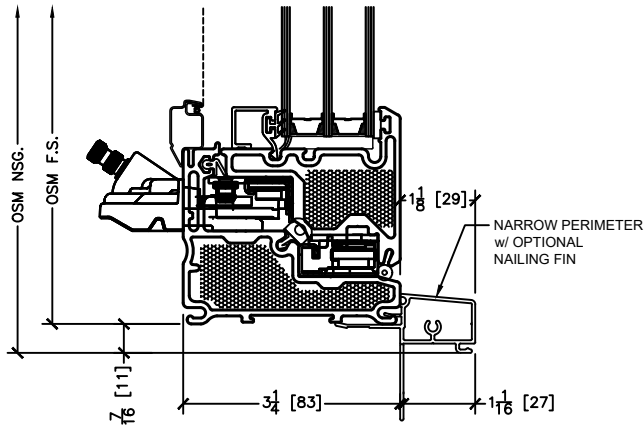
Series 328 Fiberglass Windows

FiberWall™ Fixed, Casement and Awning

45 Higgins Ave.
Winnipeg MB R3B 0A8
Tel. 1-204-339-6456
Fax 1-204-334-1800
www.duxtonwindows.com

Triple Pane Narrow Perimeter w/ Brickmold Options

Rough openings are 1/2" typical all around





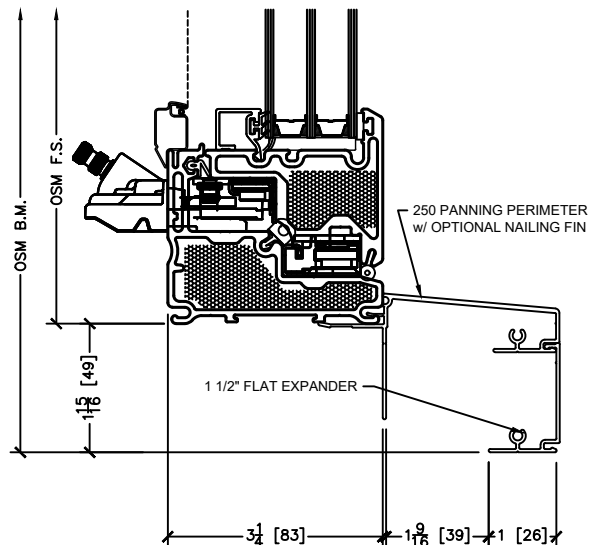
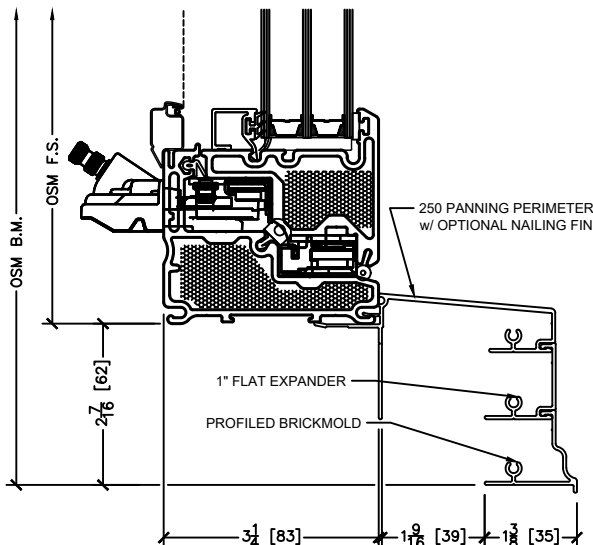
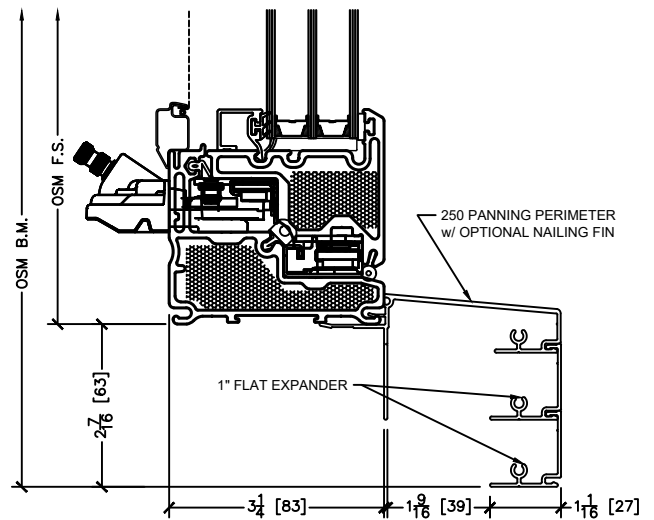
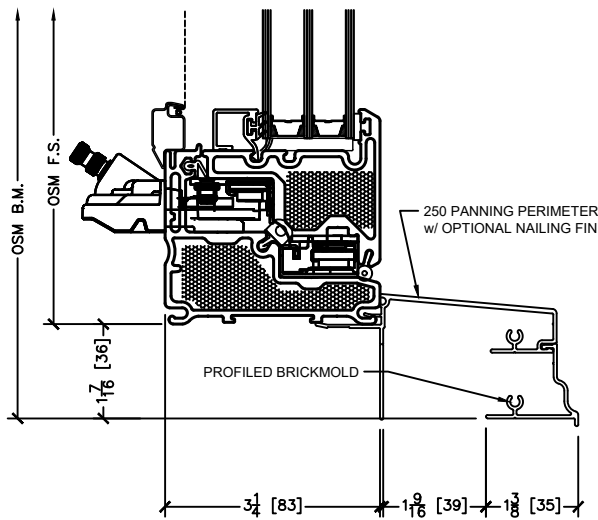
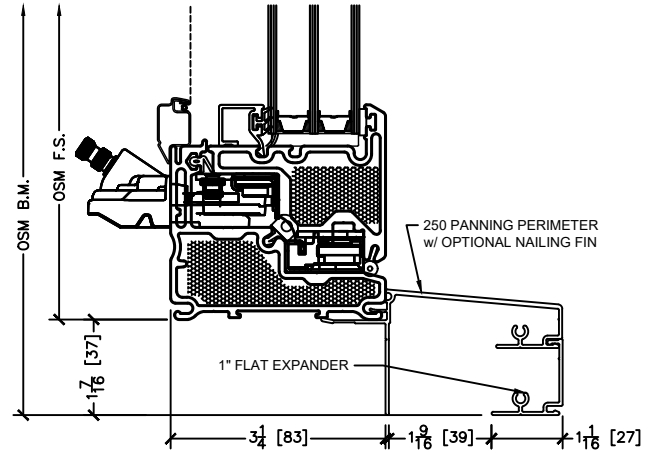
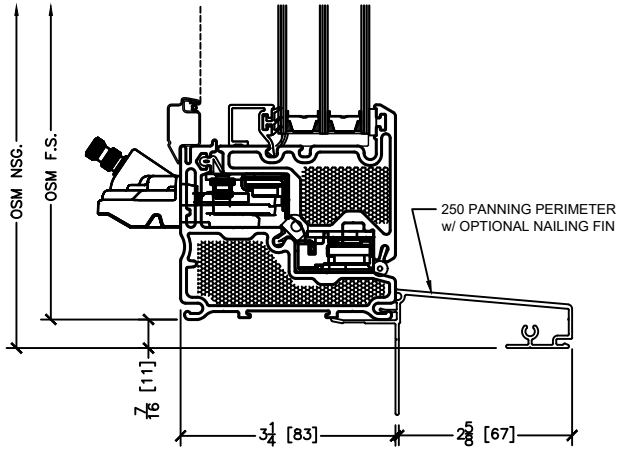
Series 328 Fiberglass Windows

FiberWall™ Fixed, Casement and Awning

45 Higgins Ave.
Winnipeg MB R3B 0A8
Tel. 1-204-339-6456
Fax 1-204-334-1800
www.duxtonwindows.com

Triple Pane 250 Panning Perimeter w/ Brickmold Options

Rough openings are 1/2" typical all around





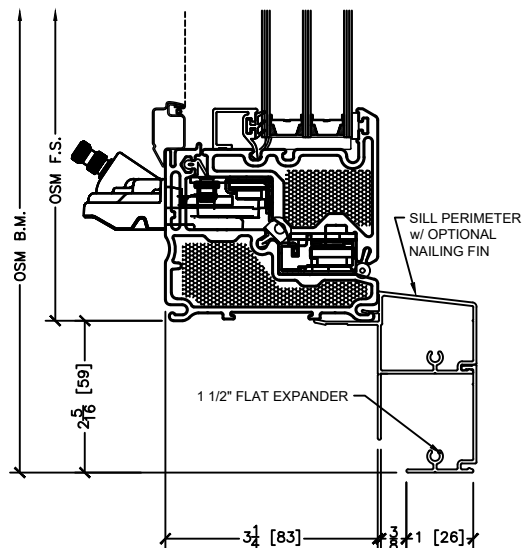
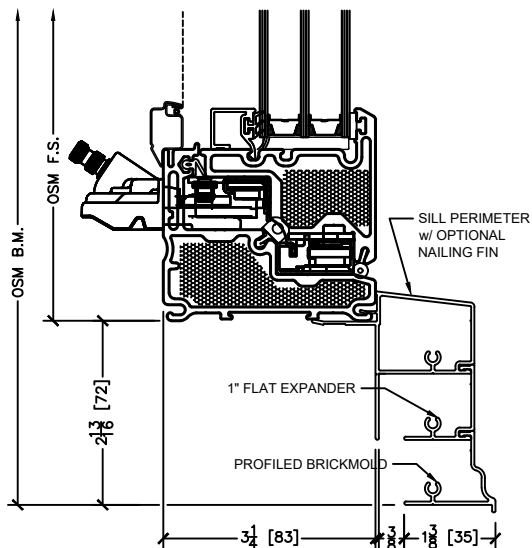
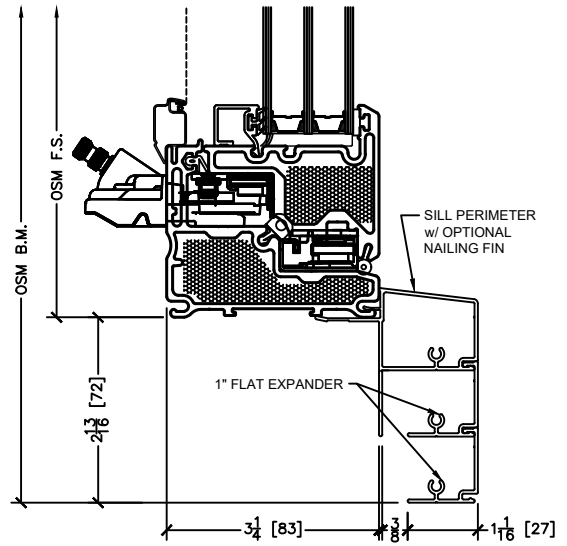
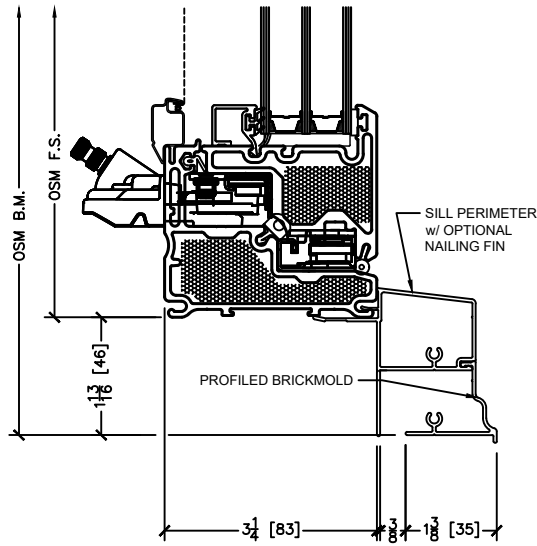
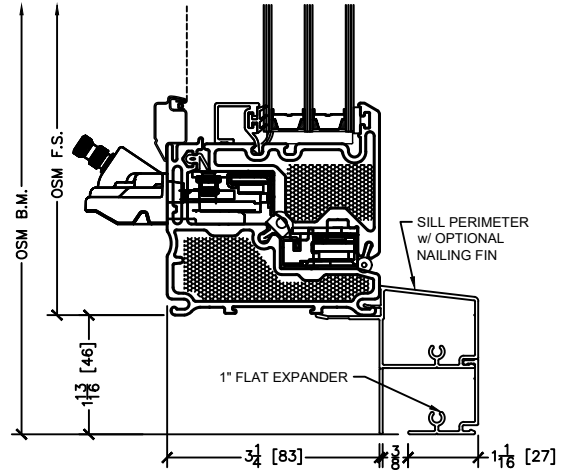
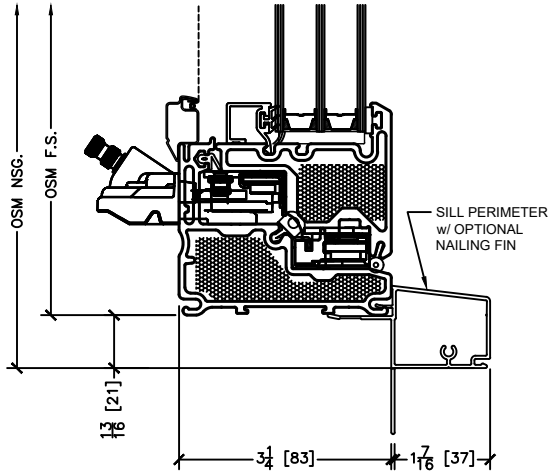
Series 328 Fiberglass Windows

FiberWall™ Fixed, Casement and Awning

45 Higgins Ave.
Winnipeg MB R3B 0A8
Tel. 1-204-339-6456
Fax 1-204-334-1800
www.duxtonwindows.com

Triple Pane Sill Perimeter w/ Brickmold Options

Rough openings are 1/2" typical all around





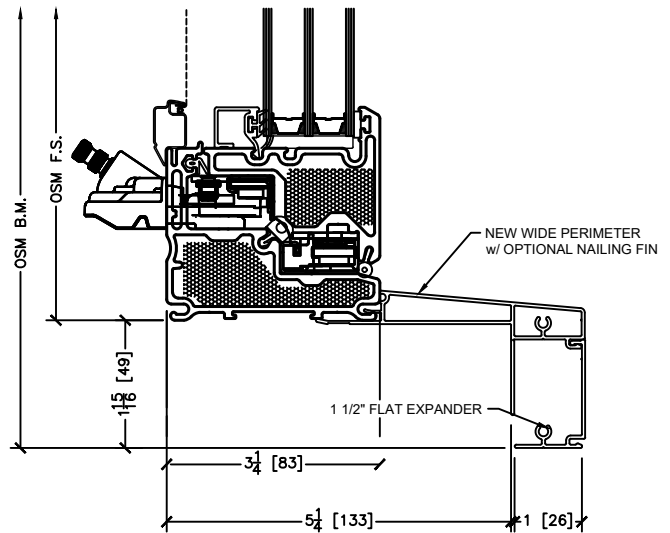
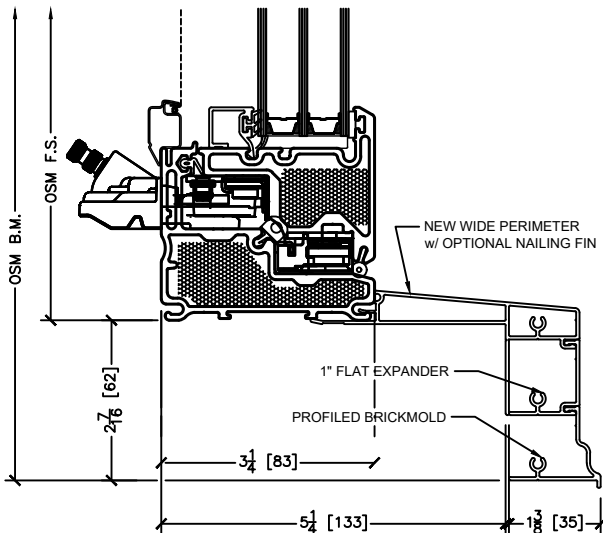
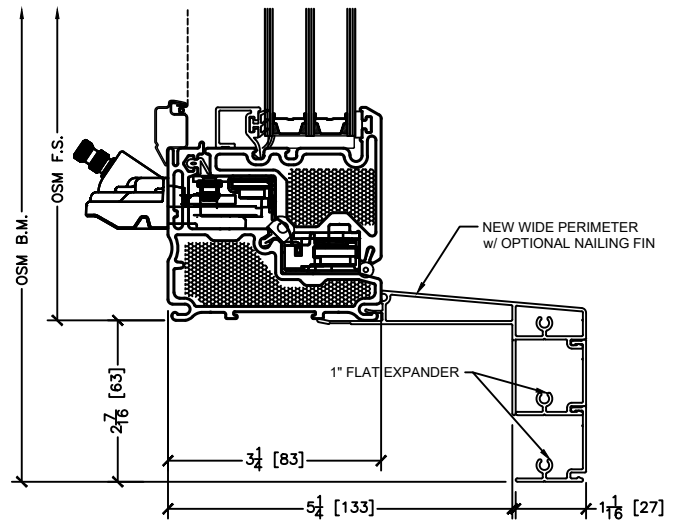
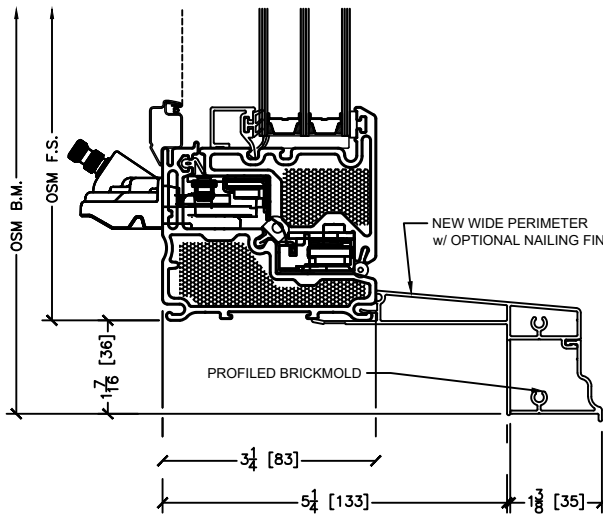
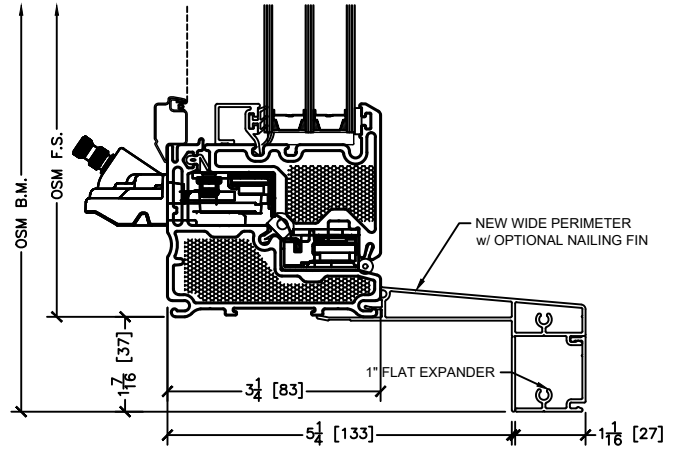
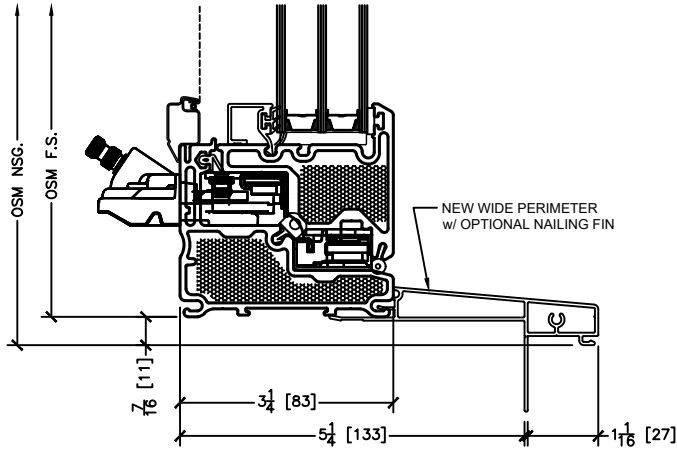
Series 328 Fiberglass Windows

FiberWall™ Fixed, Casement and Awning

45 Higgins Ave.
Winnipeg MB R3B 0A8
Tel. 1-204-339-6456
Fax 1-204-334-1800
www.duxtonwindows.com

Triple Pane New Wide Perimeter w/ Brickmold Options

Rough openings are 1/2" typical all around



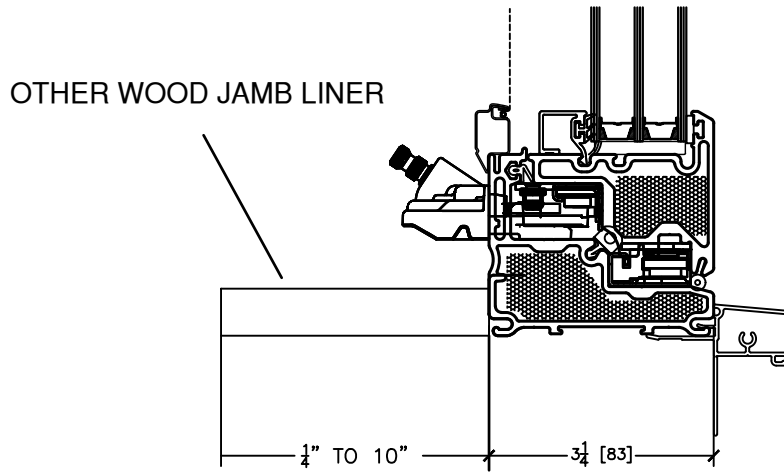
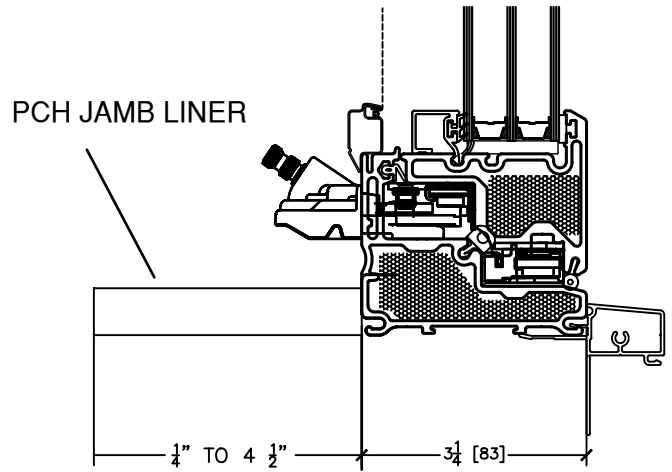
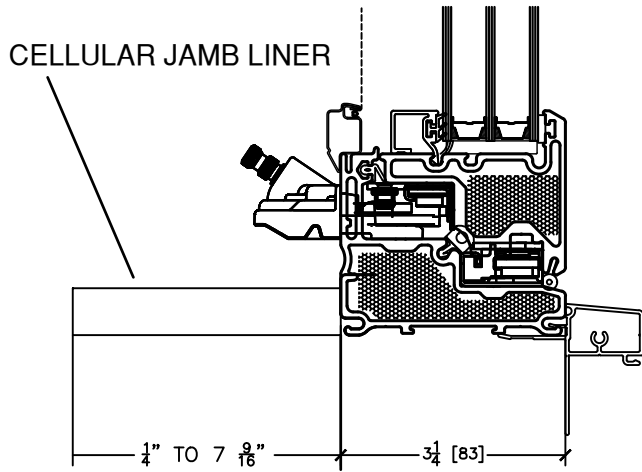


Series 328 Fiberglass Windows

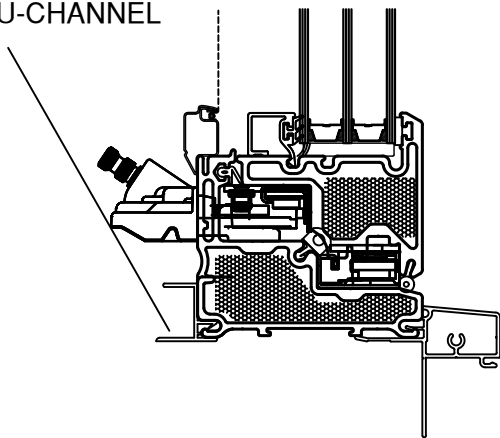
FiberWall™ Fixed, Casement and Awning

45 Higgins Ave.
Winnipeg MB R3B 0A8
Tel. 1-204-339-6456
Fax 1-204-334-1800
www.duxtonwindows.com

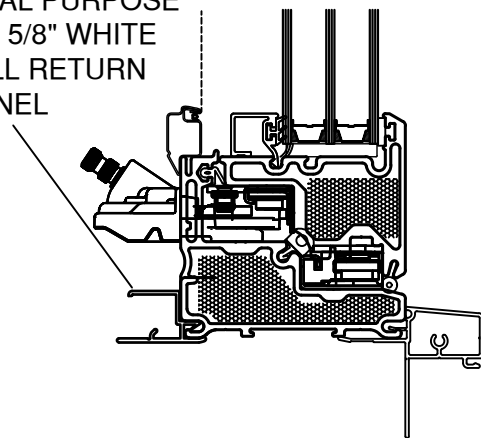
Jamb & Interior Options



3/4" WHITE
DRYWALL RETURN
U-CHANNEL



NEW DUAL PURPOSE
1/2" AND 5/8" WHITE
DRYWALL RETURN
U-CHANNEL





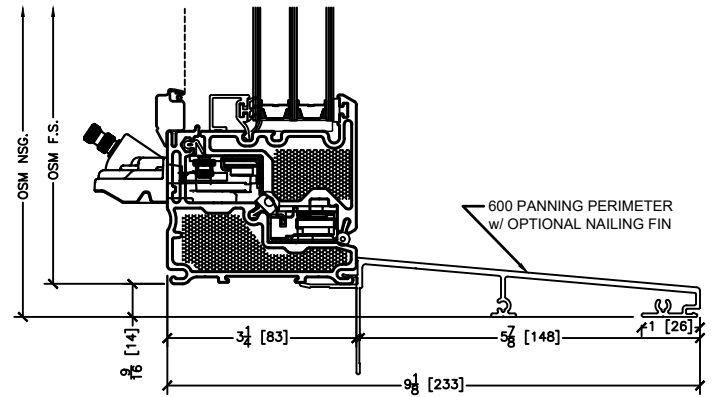
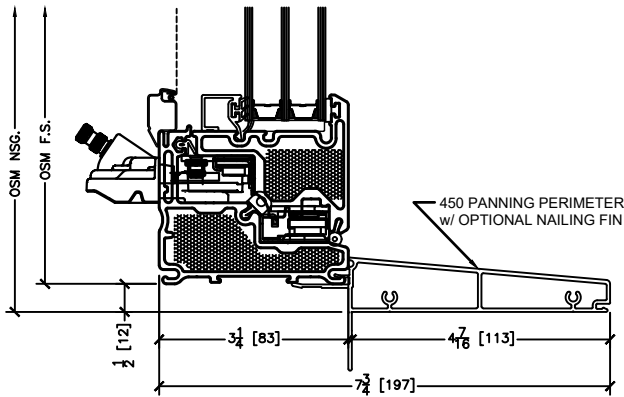
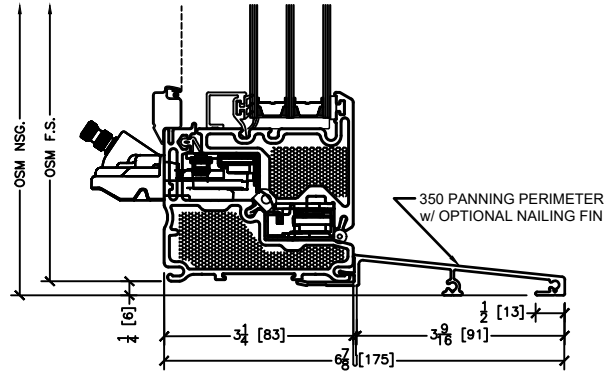
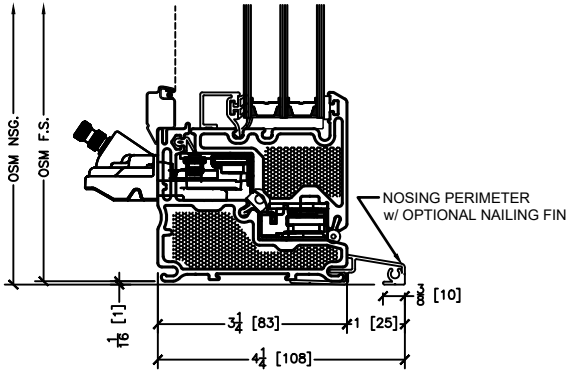
Series 328 Fiberglass Windows

FiberWall™ Fixed, Casement and Awning

45 Higgins Ave.
 Winnipeg MB R3B 0A8
 Tel. 1-204-339-6456
 Fax 1-204-334-1800
 www.duxtonwindows.com

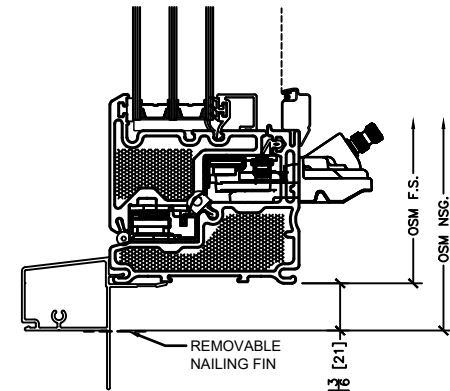
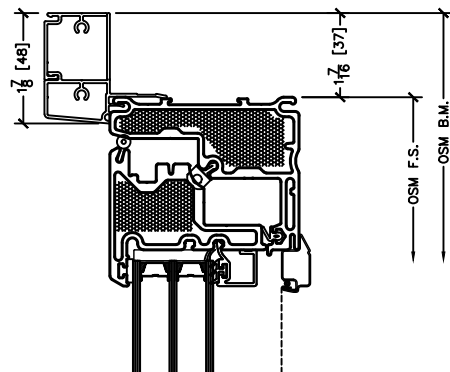
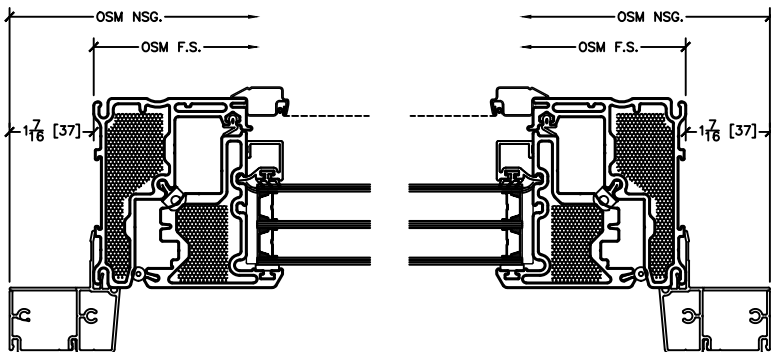
Other Perimeter Options

Rough openings are 1/2" typical all around



NARROW PERIMETER w/ SILL

NARROW PERIMETER WITH 1" FLAT EXPANDER
 (HEAD/JAMB)
 SILL ON BOTTOM, NAILING FLANGE REMOVED ON SITE
 USED IN CONJUNCTION TO REPLACE WOOD WINDOWS
 WITH A SILL DETAIL





Series 328 Fiberglass Windows

FiberWall™ Fixed, Casement and Awning

45 Higgins Ave.
Winnipeg MB R3B 0A8
Tel. 1-204-339-6456
Fax 1-204-334-1800
www.duxtonwindows.com

Installation Clip

- A. CORNER ANCHORS – SECURE APPROXIMATELY 4” FROM THE CORNERS
- B. PERIMETER ANCHORS – SPACING SHOULD NOT EXCEED 24” APART CENTER TO CENTER
- C. MULLION AND TRANSOM ANCHORS – ALWAYS ANCHOR WITHIN 4” OF MULLION OR TRANSOM

